



# Electrical Interconnection

Supplementary Catalog to Full Line Catalogs, Volumes 1/2/5/6

Edition 2021/2



## WAGO Rail-Mount Terminal Blocks and Connectors

Full Line Catalog, Volume 1 – Edition 2021/2022

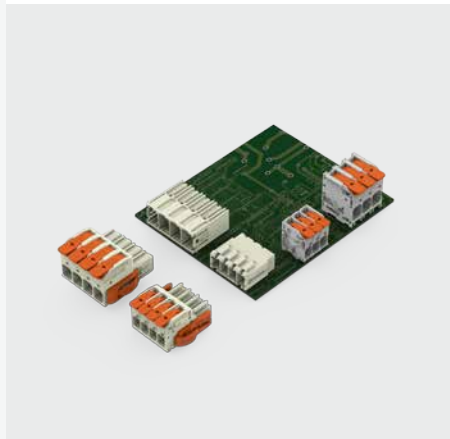
1



## WAGO PCB Terminal Blocks and Connectors

Full Line Catalog, Volume 2 – Edition 2021/2022

2



## Automation Technology

Full Line Catalog, Volume 3 – Edition 2021/2022

3



## WAGO Electronic Interface

Full Line Catalog, Volume 4 – Edition 2021/2022

4



## WAGO Pluggable Connection System WINSTA®

Full Line Catalog, Volume 5 – Edition 2021/2022

5



## WAGO Marking

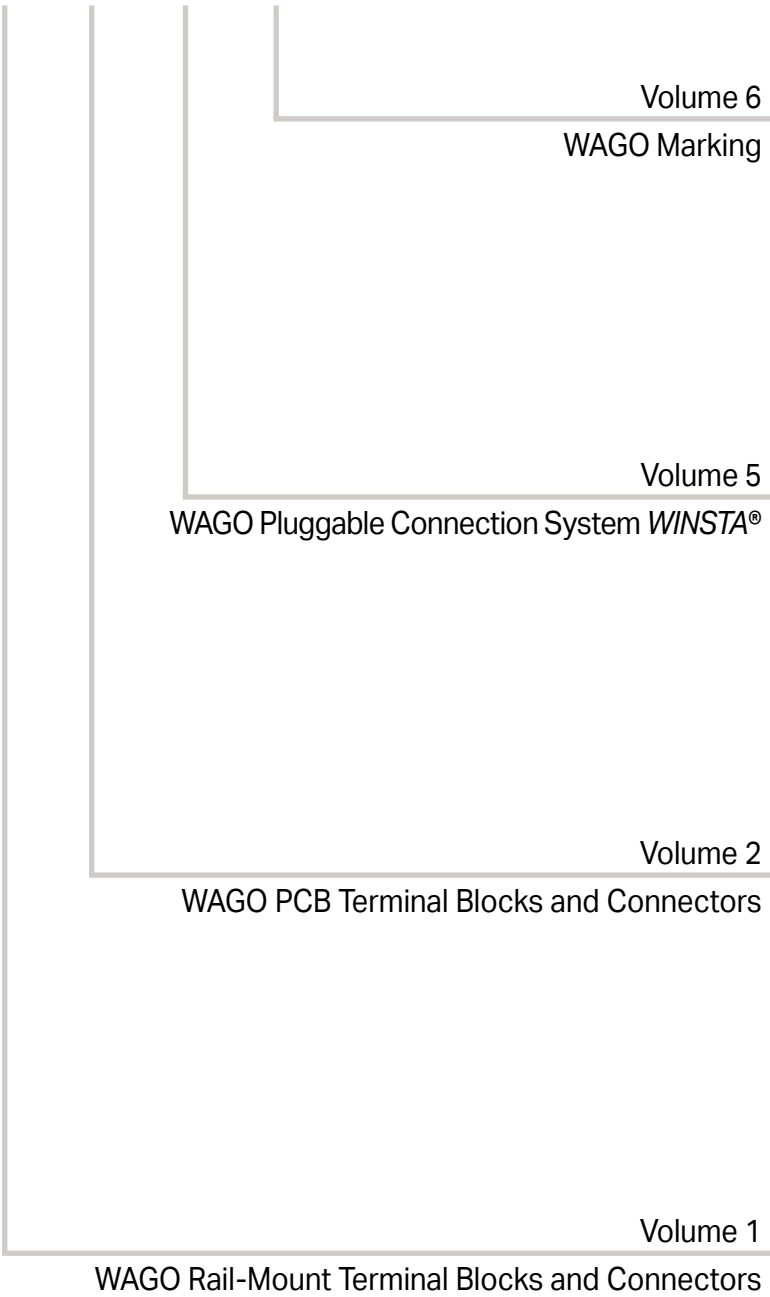
Full Line Catalog, Volume 6 – Edition 2021/2022

6






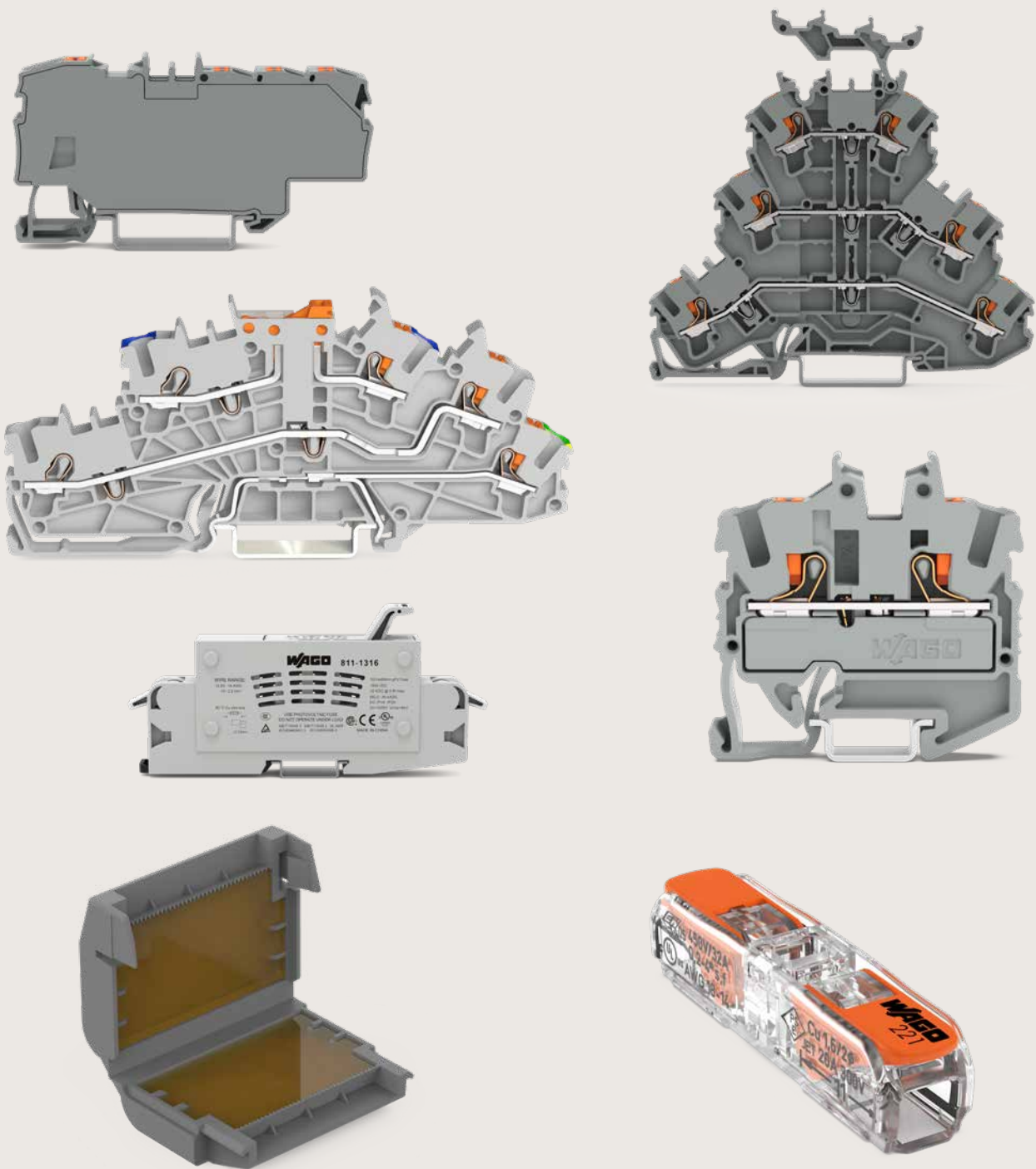
The new items in this catalog supplement products found in the following main catalogs

# N 1/2/5/6



# Supplementary Catalog – Electrical Interconnections

	WAGO Rail-Mount Terminal Blocks and Connectors	Volume 1	3
	WAGO PCB Terminal Blocks and WAGO Connectors	Volume 2	41
	WAGO Marking Accessories	Volume 6	81
	Item Number Index		86



# Volume 1, WAGO Rail-Mount Terminal Blocks and Connectors

## Volume 1, WAGO Rail-Mount Terminal Blocks and Connectors

			Page
	Distribution Terminal Blocks TOPJOB® S; with Operating Slot 3 x 1.5 mm <sup>2</sup> and 1 x 6 mm <sup>2</sup>	2006 Series	4
	Adjacent Jumpers for Continuous Commoning, TOPJOB® S	2002 Series	5
	Triple-Deck Terminal Blocks TOPJOB® S; with Push-Button 2.5 (4) mm <sup>2</sup> / 12 AWG	2202 Series	6
	Multilevel Installation Terminal Blocks TOPJOB® S; with Operating Slot and Push-Button; with N-Disconnect Slide Link 2.5 (4) mm <sup>2</sup> / 12 AWG 4 (6) mm <sup>2</sup> / 10 AWG	2203 Series 2205 Series	8 14
	Multilevel Installation Terminal Blocks TOPJOB® S; with Operating Slot and Push-Button; with Internal N-Disconnect 2.5 (4) mm <sup>2</sup> / 12 AWG	2203 Series	10
	Multilevel Installation Terminal Blocks TOPJOB® S; with Push-Button; with N-Disconnect Slide Link 2.5 (4) mm <sup>2</sup> / 12 AWG 4 (6) mm <sup>2</sup> / 10 AWG	2203 Series 2205 Series	16 22
	Multilevel Installation Terminal Blocks TOPJOB® S; with Push-Button; with Internal N-Disconnect 2.5 (4) mm <sup>2</sup> / 12 AWG	2203 Series	18
	Miniature Through/Ground Conductor Terminal Blocks TOPJOB® S; with Push-Button; for DIN-15 Rail	2252 Series	26
	Miniature Through/Ground Conductor Terminal Blocks TOPJOB® S; for DIN-15 Rail 2.5 (4) mm <sup>2</sup> / 12 AWG	2052 Series	27
	Modular Terminal Blocks TOPJOB® S; with Push-Button; with Mounting Flange or Snap-In Mounting Foot	2252 Series	28
	Modular Terminal Blocks TOPJOB® S; with Mounting Flange or Snap-In Mounting Foot 2.5 (4) mm <sup>2</sup> / 12 AWG	2052 Series	30
	Fused Disconnect Terminal Blocks for 10/14 x 85 mm Cylindrical Fuses 16 mm <sup>2</sup> / 6 AWG	811 Series	32
	Gelbox; for Splicing Connectors	207 Series	35
	Inline Splicing Connector	221 Series	37

## Verteilerklemme TOPJOB® S

### 1 x 6 (10) mm<sup>2</sup> and 6 x 1.5 (2.5) mm<sup>2</sup>; 2006 Series

#### Technical Data

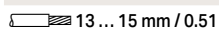
0.5 ... 6 (10) mm<sup>2</sup> ① | 20 ... 8 AWG

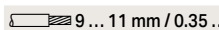
0.25 ... 1.5 (2.5) mm<sup>2</sup> ② | 22 ... 14 AWG

I<sub>N</sub> 41 A (57 A)

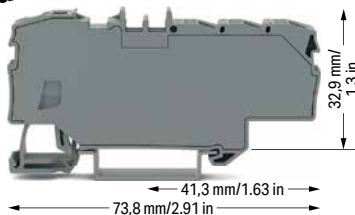
800 V/8 kV/3 ③

Terminal block width: 9 mm / 0.354 inch

 13 ... 15 mm / 0.51 ... 0.59 inch ①

 9 ... 11 mm / 0.35 ... 0.43 inch ②

Available December 2021



#### Distribution terminal block; with operating slot

Color	Item No.	Pack. Unit
gray	2006-8031	12
blue	2006-8034 ④	12
red	2006-8033	12
black	2006-8035	12

#### Accessories; distribution terminal block

Appropriate marking systems:  
WMB/WMB Inline/Marking strips

#### Push-in type jumper bar; insulated; I<sub>N</sub> 18 A; light gray



2-way	2001-402	25
3-way	2001-403	25
4-way	2001-404	25

#### Modular connector; snaps together; for jumper contact slot



gray	2001-511	100 (25)
------	----------	----------

#### Test plug adapter; for 4 mm Ø test plug



gray	2009-174	100 (25)
------	----------	----------

#### Testing tap; for max. 2.5 mm<sup>2</sup>



gray	2009-182	100 (25)
------	----------	----------

#### Marking strip; plain; 11 mm wide; 50 m reel



white	2009-110	1
-------	----------	---

#### WMB Inline; plain; 1,500 WMB markers (5 mm)/reel; stretchable 5 ... 5.2 mm



white	2009-115	1
-------	----------	---

#### WMB marker card; white; 10 strips with 10 markers/card; stretchable 5 ... 5.2 mm



plain	793-5501	5
-------	----------	---

① Conductor range: 0.5 ... 10 mm<sup>2</sup> "s+f-st"  
Push-in termination: 2.5 ... 10 mm<sup>2</sup> "s" and 2.5 ... 6 mm<sup>2</sup>  
"insulated ferrules, 12 mm"  
Depending on the conductor characteristic, a conductor with a smaller cross-section can also be inserted via push-in termination.

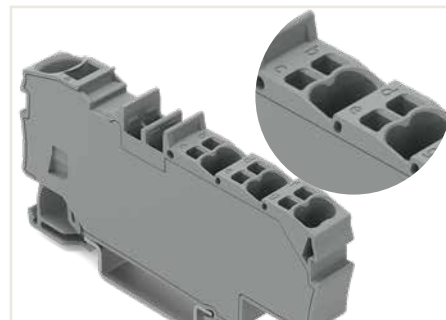
② Conductor range: 0.25 ... 2.5 mm<sup>2</sup> "s+f-st"  
Push-in termination: 0.75 ... 2.5 mm<sup>2</sup> "s" and 0.75 ... 1.5 mm<sup>2</sup>  
"insulated ferrules, 12 mm"  
Depending on the conductor characteristic, a conductor with a smaller cross-section can also be inserted via push-in termination.

③ 800 V = rated voltage  
8 kV = rated impulse voltage  
3 = pollution degree

④ Terminal blocks with a blue insulated housing are suitable for Ex i applications.

See application notes in our TOPJOB® S catalog:  
Separator for Ex e/Ex i applications, page 47  
Jumpers, from page 169  
Testing accessories, from page 162  
Marking accessories, from page 266

Approvals and corresponding ratings, visit [www.wago.com](http://www.wago.com)



A clear marking of clamping units is molded in.

## Adjacent Jumper for Continuous Commoning TOPJOB® S 2002 Series

### Technical Data

800 V/8 kV/3

I<sub>N</sub> 25 A

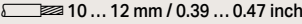


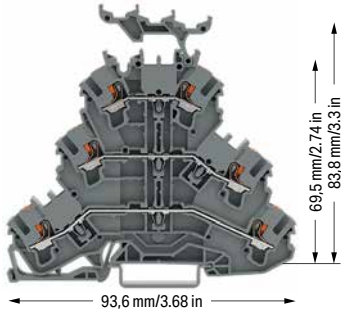
Adjacent jumper for continuous commoning; insulated;  
light gray

	Item No.	Pack. Unit
<input type="radio"/> 3-way	2002-413	25
<input type="radio"/> 5-way	2002-415	25

# Triple-Deck Terminal Block TOPJOB® S; with Push-Button 2.5 (4) mm<sup>2</sup>; 2202 Series

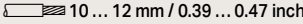
Available December 2021

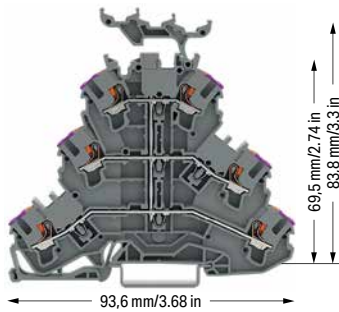
Technical Data	
0.25 ... 2.5 (4) mm <sup>2</sup> ①	22 ... 12 AWG
500 V/6 kV/3 ②	
I <sub>N</sub> 22 A (26 A)	
Terminal block width: 5.2 mm / 0.205 inch	
 10 ... 12 mm / 0.39 ... 0.47 inch	



Triple-deck terminal block; with push-button; through/through/through terminal block; with marker carrier; gray

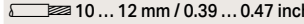
	Item No.	Pack. Unit
○ L/L/L	2202-3231	50
○ L/L/N	2202-3233	50

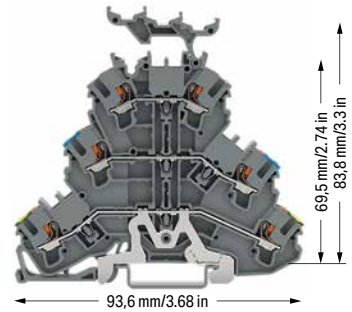
Technical Data	
0.25 ... 2.5 (4) mm <sup>2</sup> ①	22 ... 12 AWG
500 V/6 kV/3 ②	
I <sub>N</sub> 24 A (28 A) ③	
Terminal block width: 5.2 mm / 0.205 inch	
 10 ... 12 mm / 0.39 ... 0.47 inch	



Triple-deck terminal block; with push-button; 6-conductor through terminal block; with marker carrier; internally commoned; violet conductor entry; gray

	Item No.	Pack. Unit
○ L	2202-3238	50

Technical Data	
0.25 ... 2.5 (4) mm <sup>2</sup> ①	22 ... 12 AWG
500 V/6 kV/3 ②	
I <sub>N</sub> 22 A (26 A)	
Terminal block width: 5.2 mm / 0.205 inch	
 10 ... 12 mm / 0.39 ... 0.47 inch	



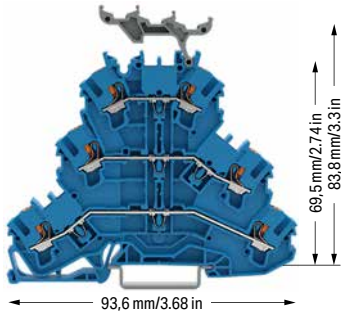
Triple-deck terminal block; with push-button; ground conductor/through/through terminal block; with marker carrier; gray

	Item No.	Pack. Unit
○ PE/N/L	2202-3247	50
○ PE/L/L	2202-3257	50

Triple-deck terminal block; with push-button; through/through/through terminal block; without marker carrier; gray		
○ L/L/L	2202-3201	50
○ L/L/N	2202-3203	50

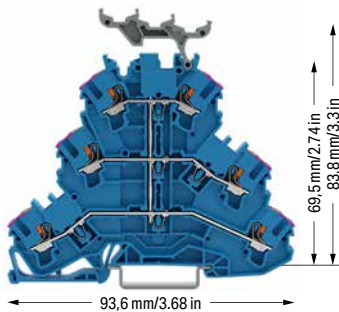
Triple-deck terminal block; with push-button; 6-conductor through terminal block; without marker carrier; internally commoned; violet conductor entry; gray		
○ L	2202-3208	50

Triple-deck terminal block; with push-button; ground conductor/through/through terminal block; without marker carrier; gray		
○ PE/N/L	2202-3217	50
○ PE/L/L	2202-3227	50



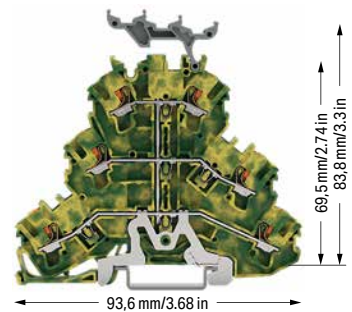
Triple-deck terminal block; with push-button; through/through/through terminal block; with marker carrier; blue

	Item No.	Pack. Unit
● N/N/N	2202-3234 ④	50



Triple-deck terminal block; with push-button; 6-conductor through terminal block; with marker carrier; internally commoned; violet conductor entry; blue

	Item No.	Pack. Unit
● N	2202-3239 ④	50



Triple-deck terminal block; with push-button; 6-conductor ground terminal block; with marker carrier; internally commoned; green-yellow

	Item No.	Pack. Unit
● PE	2202-3237	50

Triple-deck terminal block; with push-button; through/through/through terminal block; without marker carrier; blue		
● N/N/N	2202-3204 ④	50

Triple-deck terminal block; with push-button; 6-conductor through terminal block; without marker carrier; internally commoned; violet conductor entry; blue		
● N	2202-3209 ④	50

Triple-deck terminal block; with push-button; 6-conductor ground terminal block; without marker carrier; internally commoned; green-yellow		
● PE	2202-3207	50



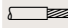
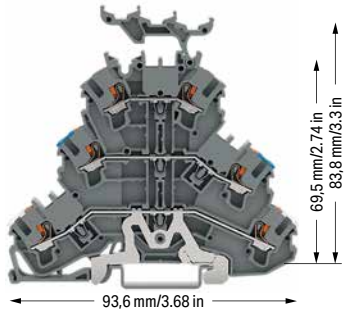
## Technical Data

0.25 ... 2.5 (4) mm<sup>2</sup> ① | 22 ... 12 AWG

500 V/6 kV/3 ②

I<sub>N</sub> 22 A (26 A)

Terminal block width: 5.2 mm / 0.205 inch

 10 ... 12 mm / 0.39 ... 0.47 inch


Triple-deck terminal block; with push-button; shield/through/through terminal block; with marker carrier; gray

	Item No.	Pack. Unit
○ Shield/N/L	2202-3248	50
○ Shield/L/L	2202-3258	50

Triple-deck terminal block; with push-button; shield/through/through terminal block; without marker carrier; gray

	Item No.	Pack. Unit
○ Shield/N/L	2202-3218	50
○ Shield/L/L	2202-3228	50

① Conductor range: 0.25 ... 4 mm<sup>2</sup> "s+f-st"  
Push-in termination: 1 ... 4 mm<sup>2</sup> "s" and 1 ... 2.5 mm<sup>2</sup> "insulated ferrules, 12 mm"  
Depending on the conductor characteristic, a conductor with a smaller cross-section can also be inserted via push-in termination.

② 500 V = rated voltage  
6 kV = rated impulse voltage  
3 = pollution degree

③ 28 A only applies to terminal blocks with internal commoning.

④ Terminal blocks with a blue insulated housing are suitable for Ex i applications.


See application notes in our TOPJOB® S catalog:  
Jumpers, from page 166  
Testing accessories, page 165  
Marking accessories, from page 266

Approvals and corresponding ratings, visit [www.wago.com](http://www.wago.com)


## Accessories; 2202 Series

Appropriate marking systems:  
WMB/WMB Inline/Marking strips


## End and intermediate plate; 0.8 mm thick

	orange	2002-3292	100 (25)
	gray	2002-3291	100 (25)


Insulation stop; 5 pcs/strip; 0.25 ... 0.5 mm<sup>2</sup>

	light gray	2002-171	200 (25)
--	------------	----------	----------


Insulation stop; 5 pcs/strip; 0.75 ... 1 mm<sup>2</sup>

	dark gray	2002-172	200 (25)
---	-----------	----------	----------


Push-in type jumper bar; insulated; I<sub>N</sub> 25 A; light gray

	2-way	2002-402	25
	3-way	2002-403	25
	4-way	2002-404	25
	5-way	2002-405	25
	6-way	2002-406	25
	7-way	2002-407	25
	8-way	2002-408	25
	9-way	2002-409	25
	10-way	2002-410	25

Push-in type jumper bar; insulated; I<sub>N</sub> 25 A; light gray

	1 to 3	2002-433	25
	1 to 4	2002-434	25
	1 to 5	2002-435	25
	1 to 6	2002-436	25
	1 to 7	2002-437	25
	1 to 8	2002-438	25
	1 to 9	2002-439	25
	1 to 10	2002-440	25

Double-deck vertical jumper; insulated; I<sub>N</sub> 24 A

	light gray	2002-492	100 (25)
	orange	2002-492/000-012	100 (25)


Triple-deck vertical jumper; insulated; I<sub>N</sub> 24 A


	light gray	2002-493	100 (25)
---	------------	----------	----------

## Triple-deck marker carrier; pivoting

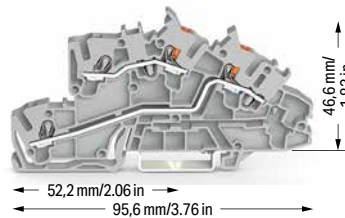
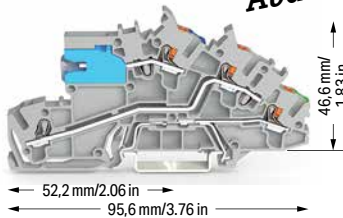
	gray	2002-131	50 (25)
---	------	----------	---------

# Multilevel Installation Terminal Block TOPJOB® S; with Operating Slot and Push-Button; with N-Disconnect Slide Link 2.5 (4) mm<sup>2</sup>; 2203 Series

Technical Data	
0.25 ... 2.5 (4) mm <sup>2</sup> ①	22 ... 12 AWG
250 V/4 kV/3; 24 A (29 A) ②	
400 V/6 kV/3; 24 A (29 A) ②	
Terminal block width: 5.2 mm / 0.205 inch	
 10 ... 12 mm / 0.39 ... 0.47 inch	

Technical Data	
0.25 ... 2.5 (4) mm <sup>2</sup> ①	22 ... 12 AWG
400 V/6 kV/3 ②	
I <sub>N</sub> 24 A (31 A)	
Terminal block width: 5.2 mm / 0.205 inch	
 10 ... 12 mm / 0.39 ... 0.47 inch	

Available January 2022

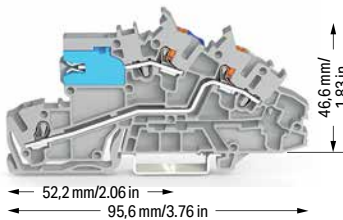


Multilevel installation terminal block; with operating slot and push-button; with N-disconnect slide link; gray

	Item No.	Pack. Unit
○ NT/L/PE	2203-7541	50

Multilevel installation terminal block; with operating slot and push-button; gray

	Item No.	Pack. Unit
○ L/L	2203-7542	50
○ N/L	2203-7549	50



Multilevel installation terminal block; with operating slot and push-button; with N-disconnect slide link; gray

	Item No.	Pack. Unit
○ NT/L	2203-7540	50
○ LT/L	2203-7559	50

Multilevel installation terminal block; with operating slot and push-button; gray

	Item No.	Pack. Unit
○ L	2203-7550	50
○ N	2203-7551	50

Multilevel installation terminal block; with operating slot and push-button; gray

	Item No.	Pack. Unit
○ N/L/PE	2203-7546	50
○ L/L/PE	2203-7545	50

### Accessories; 2203 Series

Appropriate marking systems: WMB/WMB Inline/Marking strips

End and intermediate plate; 0.8 mm thick

 orange	2203-7692	100 (25)
---	-----------	----------


Busbar cover; 1000 mm long

 transparent	777-303	1
---	---------	---

Busbar carrier; not suitable as an end stop; snaps onto DIN-35 rail; 1.5 mm thick

 blue	2009-304	100 (25)
---	----------	----------


1-conductor N-disconnect terminal block; I<sub>N</sub> 76 A; 16 mm<sup>2</sup>; 12 mm wide

 blue	2016-7714	20
--	-----------	----


Busbar carrier; with end stop function and detachable separator plate; snaps onto DIN-35 rail; 7.5 mm thick

 blue	2009-305	25
---	----------	----

1-conductor N-disconnect terminal block; I<sub>N</sub> 125 A; 35 mm<sup>2</sup>; 16 mm wide

 blue	785-613	15
--	---------	----

Busbar; tin-plated; 1000 mm long; copper (10 x 3) mm

 I <sub>N</sub> 140 A	210-133	1
---	---------	---

2-conductor supply terminal block for distribution boxes; I<sub>N</sub> 76 A; 16 mm<sup>2</sup>; 12 mm wide

 gray	2016-7601	20
 blue	2016-7604	20

① Conductor range: 0.25 ... 4 mm<sup>2</sup> "s+f-st"  
Push-in termination: 1 ... 4 mm<sup>2</sup> "s" and 1 ... 2.5 mm<sup>2</sup> "insulated ferrules, 12 mm"  
Depending on the conductor characteristic, a conductor with a smaller cross-section can also be inserted via push-in termination.

② 250 V / 400 V = rated voltage  
4 kV / 6 kV = rated impulse voltage  
3 = pollution degree  
250 V/4 kV potential – ground  
400 V/6 kV potential – potential



See application notes in our TOPJOB® S catalog:  
Jumpers, from page 166  
Testing accessories, page 165  
Marking accessories, from page 266

Approvals and corresponding ratings, visit [www.wago.com](http://www.wago.com)

### Accessories; 2203 Series

Appropriate marking systems:  
WMB/WMB Inline/Marking strips

2-conductor through terminal block; I<sub>N</sub> 125 A; 35 mm<sup>2</sup>; 16 mm wide

 gray	785-601	15
 blue	785-604	15


2-conductor ground terminal block; 16 mm<sup>2</sup>; 12 mm wide

 green-yellow	2016-7607	20
---	-----------	----


2-conductor ground terminal block; 35 mm<sup>2</sup>; 16 mm wide

 green-yellow	785-607	15
--	---------	----

Connector; for busbar; with blue cover; 2.5 ... 16 mm<sup>2</sup>

 blue	210-281	100 (50)
--	---------	----------

Connector; for busbar; 2.5 ... 35 mm<sup>2</sup>

 uninsulated	209-105	50
---	---------	----


Lock-out; prevents reclosing of slide link; snap-on type

 orange	2003-7300	100 (25)
--	-----------	----------


Insulation stop; 5 pcs/strip; 0.25 ... 0.5 mm<sup>2</sup>

 light gray	2002-171	200 (25)
--	----------	----------

Insulation stop; 5 pcs/strip; 0.75 ... 1 mm<sup>2</sup>

 dark gray	2002-172	200 (25)
---	----------	----------

Push-in type jumper bar; insulated; I<sub>N</sub> 25 A; light gray

 2-way	2002-402	25
3-way	2002-403	25
4-way	2002-404	25
5-way	2002-405	25
6-way	2002-406	25
7-way	2002-407	25
8-way	2002-408	25
9-way	2002-409	25
10-way	2002-410	25

## Accessories; 2203 Series

Appropriate marking systems:  
WMB/WMB Inline/Marking stripsPush-in type jumper bar; insulated; I<sub>N</sub> 25 A; light gray

1 to 3	2002-433	25
1 to 4	2002-434	25
1 to 5	2002-435	25
1 to 6	2002-436	25
1 to 7	2002-437	25
1 to 8	2002-438	25
1 to 9	2002-439	25
1 to 10	2002-440	25

Staggered jumper; insulated; I<sub>N</sub> 25 A; light gray

2-way	2002-472	25
3-way	2002-473	25
4-way	2002-474	25
5-way	2002-475	25
6-way	2002-476	25
7-way	2002-477	25
8-way	2002-478	25
9-way	2002-479	25
10-way	2002-480	25
11-way	2002-481	25
12-way	2002-482	25

Customized staggered jumper; insulated; with contact lugs broken off at the factory and circuit printing; I<sub>N</sub> 25 A; light gray

1-3	2002-473/011-000	25
1-3-5	2002-475/011-000	25
1-3-5-7	2002-477/011-000	25
1-3-5-7-9	2002-479/011-000	25
1-3-5-7-9-11	2002-481/011-000	25

Adjacent jumper for continuous commoning; insulated; I<sub>N</sub> 25 A; light gray

2-way	2002-400	25
-------	----------	----

Adjacent jumper for continuous commoning; insulated; I<sub>N</sub> 25 A; 1 to 3

light gray	2002-423	25
red	2002-423/000-005	25
blue	2002-423/000-006	25

Push-in type wire jumper; insulated; 1.5 mm<sup>2</sup> conductor cross-section; I<sub>N</sub> 18 A

L = 60 mm	2009-412	100 (10)
L = 110 mm	2009-414	100 (10)
L = 250 mm	2009-416	100 (10)

## Test plug adapter; for 4 mm Ø test plug



gray	2009-174	100 (25)
------	----------	----------

Testing tap; for max. 2.5 mm<sup>2</sup>

gray	2009-182	100 (25)
------	----------	----------

## Marking strip; plain; 11 mm wide; 50 m reel



white	2009-110	1
-------	----------	---

## WMB Inline; plain; 1,500 WMB markers (5 mm)/reel; stretchable 5 ... 5.2 mm



white	2009-115	1
-------	----------	---

## Accessories; 2203 Series

Appropriate marking systems:  
WMB/WMB Inline/Marking strips

## WMB marker card; white; 10 strips with 10 markers/card; stretchable 5 ... 5.2 mm



plain	793-5501	5
-------	----------	---

## Operating tool; 3.5 mm and 2.5 mm blade; for TOPJOB® S Installation Terminal Blocks



2009-309	50 (1)
----------	--------

## Operating tool; 3.5 mm and 5.5 mm blade; for TOPJOB® S Installation Terminal Blocks



2009-310	50 (1)
----------	--------

## Operating tool; (3.5 x 0.5) mm blade; with a partially insulated shaft



210-720	1
---------	---

## TOPJOB® S – Terminal Blocks for Every Application

- Push-in termination of solid conductors in small distribution boards saves time and money.
- Operating errors can be prevented as all TOPJOB® S Terminal Blocks for building installations are equipped with push-in connection technology.
- Using standard accessories reduces order processing and inventory costs.
- The busbar position is the same, making TOPJOB® S Installation Terminal Blocks compatible with standard TOPJOB® Installation Terminal Blocks.

For constructing and operating power installations in fire-prone, hazardous locations or public buildings – such as conference centers, stores, hospitals, schools, theaters or hotels – the DIN VDE 0100-710 or DIN VDE 0100-718 standards shall be observed. DIN VDE 0100-482 shall also be observed for fire-prone, hazardous locations. These VDE regulations mandate that every neutral conductor must be provided with a disconnection device so, e.g., insulation resistance measurement is possible for every circuit without disconnecting the N-conductor. WAGO's N-disconnect terminal blocks meet this requirement.

## Application note:

N-disconnect slide links, used in installation terminal blocks, consist of switch contacts that are opened and then closed again as part of regular circuit testing. To guarantee a reliable connection, a corrosion-resistant contact area is required on the N-busbar.

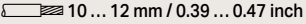
Historically, uninsulated copper busbars that have been cleaned/stripped of any possible corrosion before install can be used in dry, pollution-free locations.

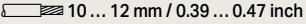
According to DIN VDE 0100-520 (VDE 0100, Part 520), installation equipment exposed to contamination or corrosive substances (e.g., water) that promote corrosion or deterioration must be protected or made of a corrosion- or wear-resistant material. In these cases, tinned copper busbars guarantee a reliable connection.

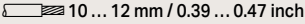
WAGO only offers tinned copper busbars.

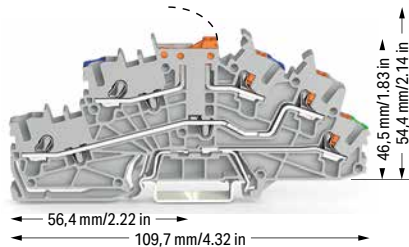
# Multilevel Installation Terminal Block TOPJOB® S; with Operating Slot and Push-Button; with Internal N-Disconnect

## 2.5 (4) mm<sup>2</sup>; 2203 Series

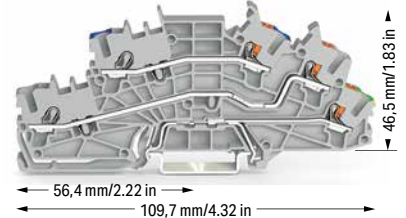
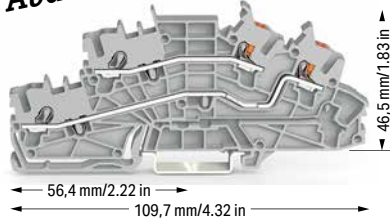
Technical Data	
0.25 ... 2.5 (4) mm <sup>2</sup> ①	22 ... 12 AWG
250 V/4 kV/3; 22 A (27 A) ②	
400 V/6 kV/3; 22 A (27 A) ②	
Terminal block width: 5.2 mm / 0.205 inch	
 10 ... 12 mm / 0.39 ... 0.47 inch	

Technical Data	
0.25 ... 2.5 (4) mm <sup>2</sup> ①	22 ... 12 AWG
400 V/6 kV/3 ②	
I <sub>N</sub> 24 A (31 A)	
Terminal block width: 5.2 mm / 0.205 inch	
 10 ... 12 mm / 0.39 ... 0.47 inch	

Technical Data	
0.25 ... 2.5 (4) mm <sup>2</sup> ①	22 ... 12 AWG
250 V/4 kV/3; 24 A (31 A) ②	
400 V/6 kV/3; 24 A (31 A) ②	
Terminal block width: 5.2 mm / 0.205 inch	
 10 ... 12 mm / 0.39 ... 0.47 inch	



**Available January 2022**



Multilevel installation terminal block; with operating slot and push-button; with pivoting knife disconnect; gray

	Item No.	Pack. Unit
<input type="radio"/> NT/L/PE	2203-6541	50
<input type="radio"/> LT/L/PE	2203-6544	50

Multilevel installation terminal block; with operating slot and push-button; gray

	Item No.	Pack. Unit
<input type="radio"/> L/L	2203-6542	50
<input type="radio"/> N/L	2203-6549	50

Multilevel installation terminal block; with operating slot and push-button; gray

	Item No.	Pack. Unit
<input type="radio"/> N/L/PE	2203-6546	50
<input type="radio"/> L/L/PE	2203-6545	50

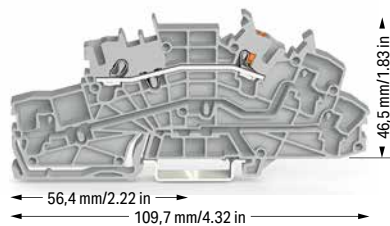
### Item-Specific Accessories

N/L-test plug adapter; for vertical test slot; gray

	2-pole	2003-499	100 (25)
--	--------	----------	----------

N-test plug adapter; for vertical test slot; gray

	1-pole	2003-500	100 (25)
---	--------	----------	----------




Multilevel installation terminal block; with operating slot and push-button; gray

	Item No.	Pack. Unit
<input type="radio"/> L	2203-6550	50
<input type="radio"/> N	2203-6551	50


### Accessories; 2203 Series

Appropriate marking systems: WMB/WMB Inline/Marking strips


End and intermediate plate; 0.8 mm thick

	orange	2203-6692	100 (25)
---	--------	-----------	----------


Insulation stop; 5 pcs/strip; 0.25 ... 0.5 mm<sup>2</sup>

	light gray	2002-171	200 (25)
---	------------	----------	----------


Insulation stop; 5 pcs/strip; 0.75 ... 1 mm<sup>2</sup>

	dark gray	2002-172	200 (25)
---	-----------	----------	----------

Push-in type jumper bar; insulated; I<sub>N</sub> 25 A; light gray

	2-way	2002-402	25
	3-way	2002-403	25
	4-way	2002-404	25
	5-way	2002-405	25
	6-way	2002-406	25
	7-way	2002-407	25
	8-way	2002-408	25
	9-way	2002-409	25
	10-way	2002-410	25

Push-in type jumper bar; insulated; I<sub>N</sub> 25 A; light gray

	1 to 3	2002-433	25
	1 to 4	2002-434	25
	1 to 5	2002-435	25
	1 to 6	2002-436	25
	1 to 7	2002-437	25
	1 to 8	2002-438	25
	1 to 9	2002-439	25
	1 to 10	2002-440	25

Push-in type wire jumper; insulated; 1.5 mm<sup>2</sup> conductor cross-section; I<sub>N</sub> 18 A

	L = 60 mm	2009-412	100 (10)
	L = 110 mm	2009-414	100 (10)
	L = 250 mm	2009-416	100 (10)

① Conductor range: 0.25 ... 4 mm<sup>2</sup> "s+f-st"  
Push-in termination: 1 ... 4 mm<sup>2</sup> "s" and 1 ... 2.5 mm<sup>2</sup> "insulated ferrules, 12 mm"  
Depending on the conductor characteristic, a conductor with a smaller cross-section can also be inserted via push-in termination.

② 250 V / 400 V = rated voltage  
4 kV / 6 kV = rated impulse voltage  
3 = pollution degree  
250 V/4 kV potential – ground  
400 V/6 kV potential – potential


See application notes in our TOPJOB® S catalog:  
Jumpers, from page 166  
Testing accessories, page 165  
Marking accessories, from page 266

Approvals and corresponding ratings,  
visit [www.wago.com](http://www.wago.com)


#### Accessories; 2203 Series

Appropriate marking systems:  
WMB/WMB Inline/Marking strips

#### Staggered jumper; insulated; I<sub>N</sub> 25 A; light gray

	2-way	2002-472	25
	3-way	2002-473	25
	4-way	2002-474	25
	5-way	2002-475	25
	6-way	2002-476	25
	7-way	2002-477	25
	8-way	2002-478	25
	9-way	2002-479	25
	10-way	2002-480	25
	11-way	2002-481	25
	12-way	2002-482	25

#### Customized staggered jumper; insulated; with contact lugs broken off at the factory and circuit printing; I<sub>N</sub> 25 A; light gray

	1-3	2002-473/011-000	25
	1-3-5	2002-475/011-000	25
	1-3-5-7	2002-477/011-000	25
	1-3-5-7-9	2002-479/011-000	25
	1-3-5-7-9-11	2002-481/011-000	25

#### Adjacent jumper for continuous commoning; insulated; I<sub>N</sub> 25 A; light gray

	2-way	2002-400	25
---	-------	----------	----

#### Adjacent jumper for continuous commoning; insulated; I<sub>N</sub> 25 A; 1 to 3

	light gray	2002-423	25
	red	2002-423/000-005	25
	blue	2002-423/000-006	25

#### Test plug adapter; for 4 mm Ø test plug

	gray	2009-174	100 (25)
---	------	----------	----------

#### Testing tap; for max. 2.5 mm<sup>2</sup>

	gray	2009-182	100 (25)
---	------	----------	----------

#### Marking strip; plain; 11 mm wide; 50 m reel

	white	2009-110	1
---	-------	----------	---


#### WMB Inline; plain; 1,500 WMB markers (5 mm)/reel; stretchable 5 ... 5.2 mm

	white	2009-115	1
---	-------	----------	---

#### Accessories; 2203 Series

Appropriate marking systems:  
WMB/WMB Inline/Marking strips

WMB marker card; white; 10 strips with 10 markers/card; stretchable 5 ... 5.2 mm

	plain	793-5501	5
---	-------	----------	---

Operating tool; 3.5 mm and 2.5 mm blade; for TOPJOB® S Installation Terminal Blocks

	2009-309	50 (1)
---	----------	--------

Operating tool; 3.5 mm and 5.5 mm blade; for TOPJOB® S Installation Terminal Blocks

	2009-310	50 (1)
---	----------	--------

Operating tool; (3.5 x 0.5) mm blade; with a partially insulated shaft

	210-720	1
---	---------	---

# Multilevel Installation Terminal Block TOPJOB® S; with Operating Slot and Push-Button

## 2.5 (4) mm<sup>2</sup>; 2203 Series

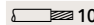
### Technical Data

0.25 ... 2.5 (4) mm<sup>2</sup> ① | 22 ... 12 AWG

250 V/4 kV/3; 22 A (27 A) ②

400 V/6 kV/3; 22 A (27 A) ②

Terminal block width: 5.2 mm / 0.205 inch

 10 ... 12 mm / 0.39 ... 0.47 inch

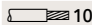
### Technical Data

0.25 ... 2.5 (4) mm<sup>2</sup> ① | 22 ... 12 AWG

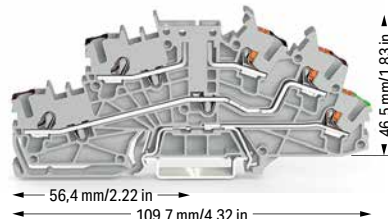
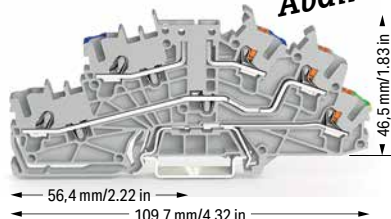
250 V/4 kV/3; 22 A (27 A) ②

400 V/6 kV/3; 22 A (27 A) ②

Terminal block width: 5.2 mm / 0.205 inch

 10 ... 12 mm / 0.39 ... 0.47 inch

Available January 2022



Multilevel installation terminal block; with operating slot and push-button; carrier terminal block without knife disconnect; gray

	Item No.	Pack. Unit
○ N/L/PE	2203-6540	50

Multilevel installation terminal block; with operating slot and push-button; carrier terminal block without knife disconnect; black upper-deck, brown middle-deck, green-yellow lower-deck printing

	Item No.	Pack. Unit
○ P2/P1/PE	2203-6543	50

Multilevel installation terminal block; carrier terminal block; with operating slot and push-button without knife disconnect; blue middle-deck; green-yellow lower-deck printing; gray

	Item No.	Pack. Unit
○ L/N/PE	2203-6561	50

Multilevel installation terminal block; with operating slot and push-button; carrier terminal block without knife disconnect; brown upper-deck, black middle-deck, green-yellow lower-deck printing

	Item No.	Pack. Unit
○ P1/P2/PE	2203-6560	50

### Accessories; 2203 Series

Appropriate marking systems: WMB/WMB Inline/Marking strips


#### N/L-test plug adapter; for vertical test slot; gray

	2-pole	2003-499	100 (25)
---	--------	----------	----------

#### N-test plug adapter; for vertical test slot; gray

	1-pole	2003-500	100 (25)
---	--------	----------	----------

#### End and intermediate plate; 0.8 mm thick

	orange	2203-6692	100 (25)
---	--------	-----------	----------


#### Fuse plug with pull-tab; for (5 x 20) mm glass cartridge fuse Electrical ratings are given by the fuse.

	gray	2004-911	50
---	------	----------	----

#### End and intermediate plate; only for use with fuse plugs; 1 mm thick

	orange	2203-6693	100 (25)
---	--------	-----------	----------


#### Double-fuse plug; for (5 x 20) mm glass cartridge fuse Electrical ratings are given by the fuse.

	gray	2003-911	25
---	------	----------	----


#### End and intermediate plate; 1 mm thick; only for use with double-fuse plugs

	orange	2203-6694	100 (25)
---	--------	-----------	----------

#### Push-in type jumper bar; insulated; I<sub>N</sub> 25 A; light gray

	2-way	2002-402	25
	3-way	2002-403	25
	4-way	2002-404	25
	5-way	2002-405	25
	6-way	2002-406	25
	7-way	2002-407	25
	8-way	2002-408	25
	9-way	2002-409	25
	10-way	2002-410	25

#### Push-in type jumper bar; insulated; I<sub>N</sub> 25 A; light gray

	1 to 3	2002-433	25
	1 to 4	2002-434	25
	1 to 5	2002-435	25
	1 to 6	2002-436	25
	1 to 7	2002-437	25
	1 to 8	2002-438	25
	1 to 9	2002-439	25
	1 to 10	2002-440	25

#### Adjacent jumper for continuous commoning; insulated; I<sub>N</sub> 25 A; light gray

	2-way	2002-400	25
---	-------	----------	----

#### Adjacent jumper for continuous commoning; insulated; I<sub>N</sub> 25 A; 1 to 3

	light gray	2002-423	25
	red	2002-423/000-005	25
	blue	2002-423/000-006	25

#### Push-in type wire jumper; insulated; 1.5 mm<sup>2</sup> conductor cross-section; I<sub>N</sub> 18 A

	L = 60 mm	2009-412	100 (10)
	L = 110 mm	2009-414	100 (10)
	L = 250 mm	2009-416	100 (10)

① Conductor range: 0.25 ... 4 mm<sup>2</sup> "s+f-st"  
Push-in termination: 1 ... 4 mm<sup>2</sup> "s" and 1 ... 2.5 mm<sup>2</sup>  
"insulated ferrules, 12 mm"  
Depending on the conductor characteristic, a conductor with a smaller cross-section can also be inserted via push-in termination.

② 250 V / 400 V = rated voltage  
4 kV / 6 kV = rated impulse voltage  
3 = pollution degree  
250 V/4 kV potential – ground  
400 V/6 kV potential – potential  
Maximum current depends on accessories used.


See application notes in our TOPJOB® S catalog:  
Jumpers, from page 166  
Testing accessories, page 165  
Marking accessories, from page 266

Approvals and corresponding ratings,  
visit [www.wago.com](http://www.wago.com)

### Accessories; 2203 Series

Appropriate marking systems:  
WMB/WMB Inline/Marking strips


#### Staggered jumper; insulated; I<sub>N</sub> 25 A; light gray

	2-way	2002-472	25
	3-way	2002-473	25
	4-way	2002-474	25
	5-way	2002-475	25
	6-way	2002-476	25
	7-way	2002-477	25
	8-way	2002-478	25
	9-way	2002-479	25
	10-way	2002-480	25
	11-way	2002-481	25
	12-way	2002-482	25


Customized staggered jumper; insulated; with contact lugs broken off at the factory and circuit printing; I<sub>N</sub> 25 A; light gray

	1-3	2002-473/011-000	25
	1-3-5	2002-475/011-000	25
	1-3-5-7	2002-477/011-000	25
	1-3-5-7-9	2002-479/011-000	25
	1-3-5-7-9-11	2002-481/011-000	25


#### Test plug adapter; for 4 mm Ø test plug

	gray	2009-174	100 (25)
---	------	----------	----------


#### Testing tap; for max. 2.5 mm<sup>2</sup>

	gray	2009-182	100 (25)
---	------	----------	----------


#### Marking strip; plain; 11 mm wide; 50 m reel

	white	2009-110	1
---	-------	----------	---

#### WMB Inline; plain; 1,500 WMB markers (5 mm)/reel; stretchable 5 ... 5.2 mm

	white	2009-115	1
---	-------	----------	---

#### WMB marker card; white; 10 strips with 10 markers/card; stretchable 5 ... 5.2 mm

	plain	793-5501	5
---	-------	----------	---

**Accessories; 2203 Series**

Appropriate marking systems:  
WMB/WMB Inline/Marking strips

Operating tool; 3.5 mm and 2.5 mm blade; for TOPJOB® S  
Installation Terminal Blocks



2009-309 50 (1)

Operating tool; 3.5 mm and 5.5 mm blade; for TOPJOB® S  
Installation Terminal Blocks



2009-310 50 (1)

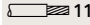
Operating tool; (3.5 x 0.5) mm blade; with a partially  
insulated shaft

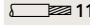


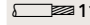
210-720 1

# Multilevel Installation Terminal Block TOPJOB® S; with Operating Slot and Push-Button; with N-Disconnect Slide Link

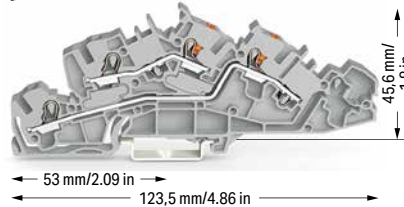
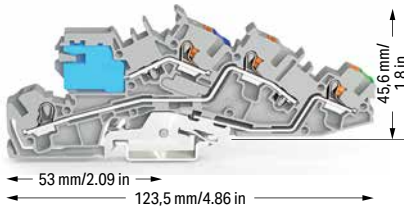
## 4 (6) mm<sup>2</sup>; 2205 Series

Technical Data	
0.5 ... 4 (6) mm <sup>2</sup> ①	20 ... 10 AWG
250 V/4 kV/3; 31 A (35 A) ②	
400 V/6 kV/3; 31 A (35 A) ②	
Terminal block width: 6.2 mm / 0.244 inch	
 11 ... 13 mm / 0.43 ... 0.51 inch	

Technical Data	
0.5 ... 4 (6) mm <sup>2</sup> ①	20 ... 10 AWG
400 V/6 kV/3 ②	
I <sub>N</sub> 32 A (36 A)	
Terminal block width: 6.2 mm / 0.244 inch	
 11 ... 13 mm / 0.43 ... 0.51 inch	

Technical Data	
0.5 ... 4 (6) mm <sup>2</sup> ①	20 ... 10 AWG
250 V/4 kV/3; 32 A (36 A) ②	
400 V/6 kV/3; 32 A (36 A) ②	
Terminal block width: 6.2 mm / 0.244 inch	
 11 ... 13 mm / 0.43 ... 0.51 inch	

**Available January 2022**



Multilevel installation terminal block; with operating slot and push-button; with N-disconnect slide link; gray

	Item No.	Pack. Unit
○ NT/L/PE	2205-7541	50

Multilevel installation terminal block; with operating slot and push-button; gray

	Item No.	Pack. Unit
○ L/L	2205-7542	50
○ N/L	2205-7549	50

Multilevel installation terminal block; with operating slot and push-button; gray

	Item No.	Pack. Unit
○ N/L/PE	2205-7546	50
○ L/L/PE	2205-7545	50

**Accessories; 2205 Series**

Appropriate marking systems: WMB/Marking strips

End and intermediate plate; 1 mm thick

orange	2205-7692	100 (25)
--------	-----------	----------

Busbar carrier; not suitable as an end stop; snaps onto DIN-35 rail; 1.5 mm thick

blue	2009-304	100 (25)
------	----------	----------

Busbar carrier; with end stop function and detachable separator plate; snaps onto DIN-35 rail; 7.5 mm thick

blue	2009-305	25
------	----------	----

Busbar; tin-plated; 1000 mm long; copper (10 x 3) mm

I <sub>N</sub> 140 A	210-133	1
----------------------	---------	---

Busbar cover; 1000 mm long

transparent	777-303	1
-------------	---------	---

1-conductor N-disconnect terminal block; I<sub>N</sub> 76 A; 16 mm<sup>2</sup>; 12 mm wide

blue	2016-7714	20
------	-----------	----

1-conductor N-disconnect terminal block; I<sub>N</sub> 125 A; 35 mm<sup>2</sup>; 16 mm wide

blue	785-613	15
------	---------	----

2-conductor supply terminal block for distribution boxes; I<sub>N</sub> 76 A; 16 mm<sup>2</sup>; 12 mm wide

gray	2016-7601	20
blue	2016-7604	20

2-conductor through terminal block; I<sub>N</sub> 125 A; 35 mm<sup>2</sup>; 16 mm wide

gray	785-601	15
blue	785-604	15

2-conductor ground terminal block; 16 mm<sup>2</sup>; 12 mm wide

green-yellow	2016-7607	20
--------------	-----------	----

2-conductor ground terminal block; 35 mm<sup>2</sup>; 16 mm wide

green-yellow	785-607	15
--------------	---------	----

Connector; for busbar; with blue cover; 2.5 ... 16 mm<sup>2</sup>

blue	210-281	100 (50)
------	---------	----------

Connector; for busbar; 2.5 ... 35 mm<sup>2</sup>

uninsulated	209-105	50
-------------	---------	----

Lock-out; prevents reclosing of slide link; snap-on type

orange	2005-7300	100 (25)
--------	-----------	----------

Insulation stop; 5 pcs/strip; 0.25 ... 0.5 mm<sup>2</sup>

light gray	2004-171	200 (25)
------------	----------	----------

Insulation stop; 5 pcs/strip; 0.75 ... 1 mm<sup>2</sup>

dark gray	2004-172	200 (25)
-----------	----------	----------

Push-in type jumper bar; insulated; I<sub>N</sub> 32 A; light gray

2-way	2004-402	25
3-way	2004-403	25
4-way	2004-404	25
5-way	2004-405	25
6-way	2004-406	25
7-way	2004-407	25
8-way	2004-408	25
9-way	2004-409	25
10-way	2004-410	25

Push-in type jumper bar; insulated; I<sub>N</sub> 32 A; light gray

1 to 3	2004-433	25
1 to 4	2004-434	25
1 to 5	2004-435	25
1 to 6	2004-436	25
1 to 7	2004-437	25
1 to 8	2004-438	25
1 to 9	2004-439	25
1 to 10	2004-440	25

Testing tap; for max. 2.5 mm<sup>2</sup>

gray	2009-182	100 (25)
------	----------	----------

Marking strip; plain; 11 mm wide; 50 m reel

white	2009-110	1
-------	----------	---

WMB marker card; white; 10 strips with 10 markers/card; stretchable 5 ... 5.2 mm

plain	793-5501	5
-------	----------	---

Operating tool; 3.5 mm and 2.5 mm blade; for TOPJOB® S Installation Terminal Blocks

	2009-309	50 (1)
--	----------	--------

Operating tool; 3.5 mm and 5.5 mm blade; for TOPJOB® S Installation Terminal Blocks

	2009-310	50 (1)
--	----------	--------

Operating tool; (3.5 x 0.5) mm blade; with a partially insulated shaft

	210-720	1
--	---------	---



① Conductor range: 0.5 ... 6 mm<sup>2</sup> "s+f-st"  
 Push-in termination: 1.5 ... 6 mm<sup>2</sup> "s" and 1.5 ... 4 mm<sup>2</sup> "insulated ferrules, 12 mm"  
 Depending on the conductor characteristic, a conductor with a smaller cross-section can also be inserted via push-in termination.

② 250 V / 400 V = rated voltage  
 4 kV / 6 kV = rated impulse voltage  
 3 = pollution degree  
 250 V/4 kV potential – ground  
 400 V/6 kV potential – potential

See application notes in our TOPJOB® S catalog:  
 Testing accessories, page 165  
 Marking accessories, from page 266

Approvals and corresponding ratings,  
 visit [www.wago.com](http://www.wago.com)

#### Application note:

N-disconnect slide links, used in installation terminal blocks, consist of switch contacts that are opened and then closed again as part of regular circuit testing. To guarantee a reliable connection, a corrosion-resistant contact area is required on the N-busbar.

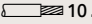
Historically, uninsulated copper busbars that have been cleaned/stripped of any possible corrosion before install can be used in dry, pollution-free locations.

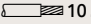
According to DIN VDE 0100-520 (VDE 0100, Part 520), installation equipment exposed to contamination or corrosive substances (e.g., water) that promote corrosion or deterioration must be protected or made of a corrosion- or wear-resistant material. In these cases, tinned copper busbars guarantee a reliable connection.

WAGO only offers tinned copper busbars.

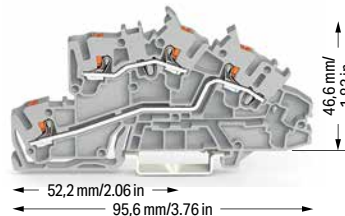
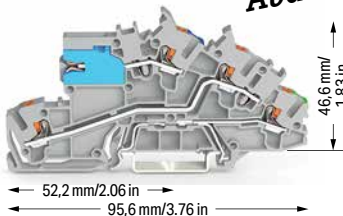
# Multilevel Installation Terminal Block TOPJOB® S; with Push-Button; with N-Disconnect Slide Link

## 2.5 (4) mm<sup>2</sup>; 2203 Series

Technical Data	
0.25 ... 2.5 (4) mm <sup>2</sup> ①	22 ... 12 AWG
250 V/4 kV/3; 24 A (29 A) ②	
400 V/6 kV/3; 24 A (29 A) ②	
Terminal block width: 5.2 mm / 0.205 inch	
 10 ... 12 mm / 0.39 ... 0.47 inch	

Technical Data	
0.25 ... 2.5 (4) mm <sup>2</sup> ①	22 ... 12 AWG
400 V/6 kV/3 ②	
I <sub>N</sub> 24 A (31 A)	
Terminal block width: 5.2 mm / 0.205 inch	
 10 ... 12 mm / 0.39 ... 0.47 inch	

Available January 2022



Multilevel installation terminal block; with push-button; with N-disconnect slide link; gray

	Item No.	Pack. Unit
○ NT/L/PE	2203-7641	50

Multilevel installation terminal block; with push-button; gray

	Item No.	Pack. Unit
○ L/L	2203-7642	50
○ N/L	2203-7649	50



Multilevel installation terminal block; with push-button; with N-disconnect slide link; gray

	Item No.	Pack. Unit
○ NT/L	2203-7640	50
○ LT/L	2203-7659	50


Multilevel installation terminal block; with push-button; gray


	Item No.	Pack. Unit
○ L	2203-7650	50
○ N	2203-7651	50


Multilevel installation terminal block; with push-button; gray


	Item No.	Pack. Unit
○ N/L/PE	2203-7646	50
○ L/L/PE	2203-7645	50


**Accessories; 2203 Series**  
Appropriate marking systems: WMB/WMB Inline/Marking strips


End and intermediate plate; 0.8 mm thick			
	orange	2203-7692	100 (25)


Busbar cover; 1000 mm long			
	transparent	777-303	1


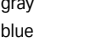
Busbar carrier; not suitable as an end stop; snaps onto DIN-35 rail; 1.5 mm thick			
	blue	2009-304	100 (25)

1-conductor N-disconnect terminal block; I <sub>N</sub> 76 A; 16 mm <sup>2</sup> ; 12 mm wide			
	blue	2016-7714	20

Busbar carrier; with end stop function and detachable separator plate; snaps onto DIN-35 rail; 7.5 mm thick			
	blue	2009-305	25

1-conductor N-disconnect terminal block; I <sub>N</sub> 125 A; 35 mm <sup>2</sup> ; 16 mm wide			
	blue	785-613	15

Busbar; tin-plated; 1000 mm long; copper (10 x 3) mm			
	I <sub>N</sub> 140 A	210-133	1


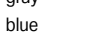
2-conductor supply terminal block for distribution boxes; I <sub>N</sub> 76 A; 16 mm <sup>2</sup> ; 12 mm wide			
	gray	2016-7601	20
	blue	2016-7604	20

- ① Conductor range: 0.25 ... 4 mm<sup>2</sup> "s+f-st"  
Push-in termination: 1 ... 4 mm<sup>2</sup> "s" and 1 ... 2.5 mm<sup>2</sup> "insulated ferrules, 12 mm"  
Depending on the conductor characteristic, a conductor with a smaller cross-section can also be inserted via push-in termination.
- ② 250 V / 400 V = rated voltage  
4 kV / 6 kV = rated impulse voltage  
3 = pollution degree  
250 V/4 kV potential – ground  
400 V/6 kV potential – potential


See application notes in our TOPJOB® S catalog:  
Jumpers, from page 166  
Testing accessories, page 165  
Marking accessories, from page 266


Approvals and corresponding ratings, visit [www.wago.com](http://www.wago.com)

**Accessories; 2203 Series**  
Appropriate marking systems:  
WMB/WMB Inline/Marking strips


2-conductor through terminal block; I <sub>N</sub> 125 A; 35 mm <sup>2</sup> ; 16 mm wide			
	gray	785-601	15
	blue	785-604	15


2-conductor ground terminal block; 16 mm <sup>2</sup> ; 12 mm wide			
	green-yellow	2016-7607	20


2-conductor ground terminal block; 35 mm <sup>2</sup> ; 16 mm wide			
	green-yellow	785-607	15










Connector; for busbar; with blue cover; 2.5 ... 16 mm <sup>2</sup>			
	blue	210-281	100 (50)

Connector; for busbar; 2.5 ... 35 mm <sup>2</sup>			
	uninsulated	209-105	50

Lock-out; prevents reclosing of slide link; snap-on type			
	orange	2003-7300	100 (25)

Insulation stop; 5 pcs/strip; 0.25 ... 0.5 mm <sup>2</sup>			
	light gray	2002-171	200 (25)

Insulation stop; 5 pcs/strip; 0.75 ... 1 mm <sup>2</sup>			
	dark gray	2002-172	200 (25)

Push-in type jumper bar; insulated; I <sub>N</sub> 25 A; light gray			
	2-way	2002-402	25
	3-way	2002-403	25
	4-way	2002-404	25
	5-way	2002-405	25
	6-way	2002-406	25
	7-way	2002-407	25
	8-way	2002-408	25
	9-way	2002-409	25
	10-way	2002-410	25

## Accessories; 2203 Series

Appropriate marking systems:  
WMB/WMB Inline/Marking stripsPush-in type jumper bar; insulated; I<sub>N</sub> 25 A; light gray

1 to 3	2002-433	25
1 to 4	2002-434	25
1 to 5	2002-435	25
1 to 6	2002-436	25
1 to 7	2002-437	25
1 to 8	2002-438	25
1 to 9	2002-439	25
1 to 10	2002-440	25

Staggered jumper; insulated; I<sub>N</sub> 25 A; light gray

2-way	2002-472	25
3-way	2002-473	25
4-way	2002-474	25
5-way	2002-475	25
6-way	2002-476	25
7-way	2002-477	25
8-way	2002-478	25
9-way	2002-479	25
10-way	2002-480	25
11-way	2002-481	25
12-way	2002-482	25

Customized staggered jumper; insulated; with contact lugs broken off at the factory and circuit printing; I<sub>N</sub> 25 A; light gray

1-3	2002-473/011-000	25
1-3-5	2002-475/011-000	25
1-3-5-7	2002-477/011-000	25
1-3-5-7-9	2002-479/011-000	25
1-3-5-7-9-11	2002-481/011-000	25

Adjacent jumper for continuous commoning; insulated; I<sub>N</sub> 25 A; light gray

2-way	2002-400	25
-------	----------	----

Adjacent jumper for continuous commoning; insulated; I<sub>N</sub> 25 A; 1 to 3

light gray	2002-423	25
red	2002-423/000-005	25
blue	2002-423/000-006	25

Push-in type wire jumper; insulated; 1.5 mm<sup>2</sup> conductor cross-section; I<sub>N</sub> 18 A

L = 60 mm	2009-412	100 (10)
L = 110 mm	2009-414	100 (10)
L = 250 mm	2009-416	100 (10)

## Test plug adapter; for 4 mm Ø test plug



gray	2009-174	100 (25)
------	----------	----------

Testing tap; for max. 2.5 mm<sup>2</sup>

gray	2009-182	100 (25)
------	----------	----------

## Marking strip; plain; 11 mm wide; 50 m reel



white	2009-110	1
-------	----------	---

## WMB Inline; plain; 1,500 WMB markers (5 mm)/reel; stretchable 5 ... 5.2 mm



white	2009-115	1
-------	----------	---

## Accessories; 2203 Series

Appropriate marking systems:  
WMB/WMB Inline/Marking strips

## WMB marker card; white; 10 strips with 10 markers/card; stretchable 5 ... 5.2 mm



plain	793-5501	5
-------	----------	---

## Operating tool; 3.5 mm and 2.5 mm blade; for TOPJOB® S Installation Terminal Blocks



2009-309	50 (1)
----------	--------

## Operating tool; 3.5 mm and 5.5 mm blade; for TOPJOB® S Installation Terminal Blocks



2009-310	50 (1)
----------	--------

## Operating tool; (3.5 x 0.5) mm blade; with a partially insulated shaft



210-720	1
---------	---

## TOPJOB® S – Terminal Blocks for Every Application

- Push-in termination of solid conductors in small distribution boards saves time and money.
- Operating errors can be prevented as all TOPJOB® S Terminal Blocks for building installations are equipped with push-in connection technology.
- Using standard accessories reduces order processing and inventory costs.
- The busbar position is the same, making TOPJOB® S Installation Terminal Blocks compatible with standard TOPJOB® Installation Terminal Blocks.

For constructing and operating power installations in fire-prone, hazardous locations or public buildings – such as conference centers, stores, hospitals, schools, theaters or hotels – the DIN VDE 0100-710 or DIN VDE 0100-718 standards shall be observed. DIN VDE 0100-482 shall also be observed for fire-prone, hazardous locations. These VDE regulations mandate that every neutral conductor must be provided with a disconnection device so, e.g., insulation resistance measurement is possible for every circuit without disconnecting the N-conductor. WAGO's N-disconnect terminal blocks meet this requirement.

## Application note:

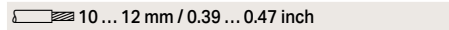
N-disconnect slide links, used in installation terminal blocks, consist of switch contacts that are opened and then closed again as part of regular circuit testing. To guarantee a reliable connection, a corrosion-resistant contact area is required on the N-busbar.

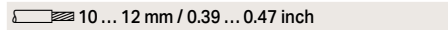
Historically, uninsulated copper busbars that have been cleaned/stripped of any possible corrosion before install can be used in dry, pollution-free locations.

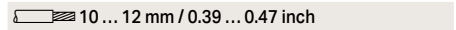
According to DIN VDE 0100-520 (VDE 0100, Part 520), installation equipment exposed to contamination or corrosive substances (e.g., water) that promote corrosion or deterioration must be protected or made of a corrosion- or wear-resistant material. In these cases, tinned copper busbars guarantee a reliable connection.

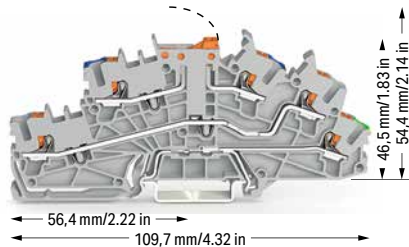
WAGO only offers tinned copper busbars.

# Multilevel Installation Terminal Block TOPJOB® S; with Push-Button; with Internal N-Disconnect 2.5 (4) mm<sup>2</sup>; 2203 Series

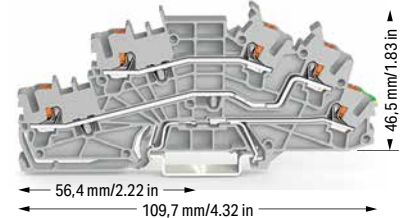
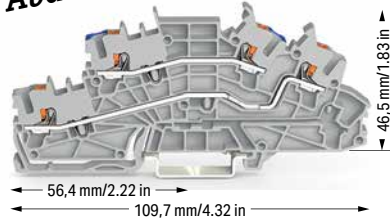
Technical Data	
0.25 ... 2.5 (4) mm <sup>2</sup> ①	22 ... 12 AWG
250 V/4 kV/3; 22 A (27 A) ②	
400 V/6 kV/3; 22 A (27 A) ②	
Terminal block width: 5.2 mm / 0.205 inch	
 10 ... 12 mm / 0.39 ... 0.47 inch	

Technical Data	
0.25 ... 2.5 (4) mm <sup>2</sup> ①	22 ... 12 AWG
400 V/6 kV/3 ②	
I <sub>N</sub> 24 A (31 A)	
Terminal block width: 5.2 mm / 0.205 inch	
 10 ... 12 mm / 0.39 ... 0.47 inch	

Technical Data	
0.25 ... 2.5 (4) mm <sup>2</sup> ①	22 ... 12 AWG
250 V/4 kV/3; 24 A (31 A) ②	
400 V/6 kV/3; 24 A (31 A) ②	
Terminal block width: 5.2 mm / 0.205 inch	
 10 ... 12 mm / 0.39 ... 0.47 inch	



Available January 2022



Multilevel installation terminal block; with push-button; with pivoting knife disconnect; gray

	Item No.	Pack. Unit
<input type="radio"/> NT/L/PE	2203-6641	50
<input type="radio"/> LT/L/PE	2203-6644	50

Multilevel installation terminal block; with push-button; gray

	Item No.	Pack. Unit
<input type="radio"/> L/L	2203-6642	50
<input type="radio"/> N/L	2203-6649	50

Multilevel installation terminal block; with push-button; gray

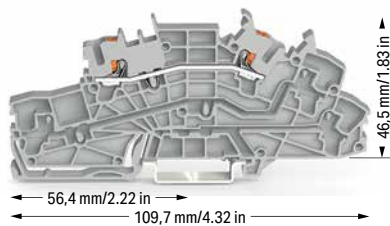
	Item No.	Pack. Unit
<input type="radio"/> N/L/PE	2203-6646	50
<input type="radio"/> L/L/PE	2203-6645	50

**Item-Specific Accessories**  
N/L-test plug adapter; for vertical test slot; gray

	2-pole	2003-499	100 (25)
--	--------	----------	----------

N-test plug adapter; for vertical test slot; gray

	1-pole	2003-500	100 (25)
---	--------	----------	----------





Multilevel installation terminal block; with push-button; gray


	Item No.	Pack. Unit
<input type="radio"/> L	2203-6650	50
<input type="radio"/> N	2203-6651	50


**Accessories; 2203 Series**


Appropriate marking systems: WMB/WMB Inline/Marking strips


End and intermediate plate; 0.8 mm thick			
	orange	2203-6692	100 (25)

Insulation stop; 5 pcs/strip; 0.25 ... 0.5 mm <sup>2</sup>			
	light gray	2002-171	200 (25)

Insulation stop; 5 pcs/strip; 0.75 ... 1 mm <sup>2</sup>			
	dark gray	2002-172	200 (25)

Push-in type jumper bar; insulated; I <sub>N</sub> 25 A; light gray			
	2-way	2002-402	25
	3-way	2002-403	25
	4-way	2002-404	25
	5-way	2002-405	25
	6-way	2002-406	25
	7-way	2002-407	25
	8-way	2002-408	25
	9-way	2002-409	25
	10-way	2002-410	25

Push-in type jumper bar; insulated; I <sub>N</sub> 25 A; light gray			
	1 to 3	2002-433	25
	1 to 4	2002-434	25
	1 to 5	2002-435	25
	1 to 6	2002-436	25
	1 to 7	2002-437	25
	1 to 8	2002-438	25
	1 to 9	2002-439	25
	1 to 10	2002-440	25

Push-in type wire jumper; insulated; 1.5 mm <sup>2</sup> conductor cross-section; I <sub>N</sub> 18 A			
	L = 60 mm	2009-412	100 (10)
	L = 110 mm	2009-414	100 (10)
	L = 250 mm	2009-416	100 (10)

① Conductor range: 0.25 ... 4 mm<sup>2</sup> "s+f-st"  
 Push-in termination: 1 ... 4 mm<sup>2</sup> "s" and 1 ... 2.5 mm<sup>2</sup> "insulated ferrules, 12 mm"  
 Depending on the conductor characteristic, a conductor with a smaller cross-section can also be inserted via push-in termination.

② 250 V / 400 V = rated voltage  
 4 kV / 6 kV = rated impulse voltage  
 3 = pollution degree  
 250 V/4 kV potential – ground  
 400 V/6 kV potential – potential

See application notes in our TOPJOB® S catalog:  
 Jumpers, from page 166  
 Testing accessories, page 165  
 Marking accessories, from page 266

Approvals and corresponding ratings,  
 visit [www.wago.com](http://www.wago.com)

#### Accessories; 2203 Series

Appropriate marking systems:  
 WMB/WMB Inline/Marking strips

#### Staggered jumper; insulated; I<sub>N</sub> 25 A; light gray



2-way	2002-472	25
3-way	2002-473	25
4-way	2002-474	25
5-way	2002-475	25
6-way	2002-476	25
7-way	2002-477	25
8-way	2002-478	25
9-way	2002-479	25
10-way	2002-480	25
11-way	2002-481	25
12-way	2002-482	25

#### Customized staggered jumper; insulated; with contact lugs broken off at the factory and circuit printing; I<sub>N</sub> 25 A; light gray



1-3	2002-473/011-000	25
1-3-5	2002-475/011-000	25
1-3-5-7	2002-477/011-000	25
1-3-5-7-9	2002-479/011-000	25
1-3-5-7-9-11	2002-481/011-000	25

#### Adjacent jumper for continuous commoning; insulated; I<sub>N</sub> 25 A; light gray



2-way	2002-400	25
-------	----------	----

#### Adjacent jumper for continuous commoning; insulated; I<sub>N</sub> 25 A; 1 to 3



light gray	2002-423	25
red	2002-423/000-005	25
blue	2002-423/000-006	25

#### Test plug adapter; for 4 mm Ø test plug



gray	2009-174	100 (25)
------	----------	----------

#### Testing tap; for max. 2.5 mm<sup>2</sup>



gray	2009-182	100 (25)
------	----------	----------

#### Marking strip; plain; 11 mm wide; 50 m reel



white	2009-110	1
-------	----------	---

#### WMB Inline; plain; 1,500 WMB markers (5 mm)/reel; stretchable 5 ... 5.2 mm



white	2009-115	1
-------	----------	---

#### Accessories; 2203 Series

Appropriate marking systems:  
 WMB/WMB Inline/Marking strips

WMB marker card; white; 10 strips with 10 markers/card; stretchable 5 ... 5.2 mm



plain	793-5501	5
-------	----------	---

Operating tool; 3.5 mm and 2.5 mm blade; for TOPJOB® S Installation Terminal Blocks



2009-309	50 (1)
----------	--------

Operating tool; 3.5 mm and 5.5 mm blade; for TOPJOB® S Installation Terminal Blocks




2009-310	50 (1)
----------	--------


Operating tool; (3.5 x 0.5) mm blade; with a partially insulated shaft



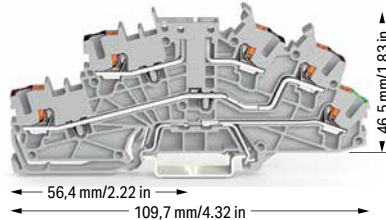
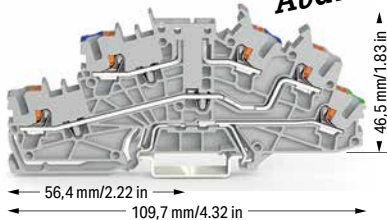
210-720	1
---------	---

# Multilevel Installation Terminal Block TOPJOB® S; with Push-Button 2.5 (4) mm<sup>2</sup>; 2203 Series

Technical Data	
0.25 ... 2.5 (4) mm <sup>2</sup> ①	22 ... 12 AWG
250 V/4 kV/3; 22 A (27 A) ②	
400 V/6 kV/3; 22 A (27 A) ②	
Terminal block width: 5.2 mm / 0.205 inch	
 10 ... 12 mm / 0.39 ... 0.47 inch	

Technical Data	
0.25 ... 2.5 (4) mm <sup>2</sup> ①	22 ... 12 AWG
250 V/4 kV/3; 22 A (27 A) ②	
400 V/6 kV/3; 22 A (27 A) ②	
Terminal block width: 5.2 mm / 0.205 inch	
 10 ... 12 mm / 0.39 ... 0.47 inch	

Available January 2022



Multilevel installation terminal block; with push-button; carrier terminal block without knife disconnect; gray

	Item No.	Pack. Unit
○ N/L/PE	2203-6640	50

Multilevel installation terminal block; with push-button; carrier terminal block without knife disconnect; black upper-deck, brown middle-deck, green-yellow lower-deck printing

	Item No.	Pack. Unit
○ P2/P1/PE	2203-6643	50

Multilevel installation terminal block; carrier terminal block; with push-button without knife disconnect; blue middle-deck; green-yellow lower-deck printing; gray

	Item No.	Pack. Unit
○ L/N/PE	2203-6661	50

Multilevel installation terminal block; with push-button; carrier terminal block without knife disconnect; brown upper-deck, black middle-deck, green-yellow lower-deck printing

	Item No.	Pack. Unit
○ P1/P2/PE	2203-6660	50

### Accessories; 2203 Series

Appropriate marking systems: WMB/WMB Inline/Marking strips


N/L-test plug adapter; for vertical test slot; gray

	2-pole	2003-499	100 (25)
---	--------	----------	----------


N-test plug adapter; for vertical test slot; gray

	1-pole	2003-500	100 (25)
---	--------	----------	----------

End and intermediate plate; 0.8 mm thick

	orange	2203-6692	100 (25)
--	--------	-----------	----------


Fuse plug with pull-tab; for (5 x 20) mm glass cartridge fuse  
Electrical ratings are given by the fuse.

	gray	2004-911	50
---	------	----------	----

End and intermediate plate; only for use with fuse plugs; 1 mm thick

	orange	2203-6693	100 (25)
--	--------	-----------	----------


Double-fuse plug; for (5 x 20) mm glass cartridge fuse  
Electrical ratings are given by the fuse.

	gray	2003-911	25
---	------	----------	----


End and intermediate plate; 1 mm thick; only for use with double-fuse plugs

	orange	2203-6694	100 (25)
--	--------	-----------	----------

Push-in type jumper bar; insulated; I<sub>N</sub> 25 A; light gray

	2-way	2002-402	25
	3-way	2002-403	25
	4-way	2002-404	25
	5-way	2002-405	25
	6-way	2002-406	25
	7-way	2002-407	25
	8-way	2002-408	25
	9-way	2002-409	25
	10-way	2002-410	25


Push-in type jumper bar; insulated; I<sub>N</sub> 25 A; light gray

	1 to 3	2002-433	25
	1 to 4	2002-434	25
	1 to 5	2002-435	25
	1 to 6	2002-436	25
	1 to 7	2002-437	25
	1 to 8	2002-438	25
	1 to 9	2002-439	25
	1 to 10	2002-440	25

Push-in type wire jumper; insulated; 1.5 mm<sup>2</sup> conductor cross-section; I<sub>N</sub> 18 A

	L = 60 mm	2009-412	100 (10)
	L = 110 mm	2009-414	100 (10)
	L = 250 mm	2009-416	100 (10)

Adjacent jumper for continuous commoning; insulated; I<sub>N</sub> 25 A; light gray

	2-way	2002-400	25
---	-------	----------	----

Adjacent jumper for continuous commoning; insulated; I<sub>N</sub> 25 A; 1 to 3

	light gray	2002-423	25
	red	2002-423/000-005	25
	blue	2002-423/000-006	25

① Conductor range: 0.25 ... 4 mm<sup>2</sup> "s+f-st"  
Push-in termination: 1 ... 4 mm<sup>2</sup> "s" and 1 ... 2.5 mm<sup>2</sup> "insulated ferrules, 12 mm"  
Depending on the conductor characteristic, a conductor with a smaller cross-section can also be inserted via push-in termination.

② 250 V / 400 V = rated voltage  
4 kV / 6 kV = rated impulse voltage  
3 = pollution degree  
250 V/4 kV potential – ground  
400 V/6 kV potential – potential  
Maximum current depends on accessories used.


See application notes in our TOPJOB® S catalog:  
Jumpers, from page 166  
Testing accessories, page 165  
Marking accessories, from page 266

Approvals and corresponding ratings, visit [www.wago.com](http://www.wago.com)

### Accessories; 2203 Series

Appropriate marking systems:  
WMB/WMB Inline/Marking strips


Staggered jumper; insulated; I<sub>N</sub> 25 A; light gray

	2-way	2002-472	25
	3-way	2002-473	25
	4-way	2002-474	25
	5-way	2002-475	25
	6-way	2002-476	25
	7-way	2002-477	25
	8-way	2002-478	25
	9-way	2002-479	25
	10-way	2002-480	25
	11-way	2002-481	25
	12-way	2002-482	25


Customized staggered jumper; insulated; with contact lugs broken off at the factory and circuit printing; I<sub>N</sub> 25 A; light gray

	1-3	2002-473/011-000	25
	1-3-5	2002-475/011-000	25
	1-3-5-7	2002-477/011-000	25
	1-3-5-7-9	2002-479/011-000	25
	1-3-5-7-9-11	2002-481/011-000	25


Test plug adapter; for 4 mm Ø test plug

	gray	2009-174	100 (25)
---	------	----------	----------

Testing tap; for max. 2.5 mm<sup>2</sup>

	gray	2009-182	100 (25)
---	------	----------	----------


Marking strip; plain; 11 mm wide; 50 m reel

	white	2009-110	1
---	-------	----------	---

WMB Inline; plain; 1,500 WMB markers (5 mm)/reel; stretchable 5 ... 5.2 mm

	white	2009-115	1
---	-------	----------	---

WMB marker card; white; 10 strips with 10 markers/card; stretchable 5 ... 5.2 mm

	plain	793-5501	5
---	-------	----------	---

**Accessories; 2203 Series**

Appropriate marking systems:  
WMB/WMB Inline/Marking strips

Operating tool; 3.5 mm and 2.5 mm blade; for TOPJOB® S Installation Terminal Blocks



2009-309 50 (1)

Operating tool; 3.5 mm and 5.5 mm blade; for TOPJOB® S Installation Terminal Blocks



2009-310 50 (1)


Operating tool; (3.5 x 0.5) mm blade; with a partially insulated shaft




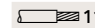
210-720 1

# Multilevel Installation Terminal Block TOPJOB® S; with Push-Button; with N-Disconnect Slide Link

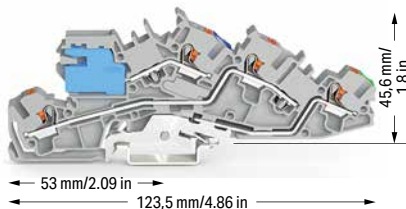
## 4 (6) mm<sup>2</sup>; 2205 Series

Technical Data	
0.5 ... 4 (6) mm <sup>2</sup> ①	20 ... 10 AWG
250 V/4 kV/3; 31 A (35 A) ②	
400 V/6 kV/3; 31 A (35 A) ②	
Terminal block width: 6.2 mm / 0.244 inch	
 11 ... 13 mm / 0.43 ... 0.51 inch	

Technical Data	
0.5 ... 4 (6) mm <sup>2</sup> ①	20 ... 10 AWG
400 V/6 kV/3 ②	
I <sub>N</sub> 32 A (36 A)	
Terminal block width: 6.2 mm / 0.244 inch	
 11 ... 13 mm / 0.43 ... 0.51 inch	

Technical Data	
0.5 ... 4 (6) mm <sup>2</sup> ①	20 ... 10 AWG
250 V/4 kV/3; 32 A (36 A) ②	
400 V/6 kV/3; 32 A (36 A) ②	
Terminal block width: 6.2 mm / 0.244 inch	
 11 ... 13 mm / 0.43 ... 0.51 inch	

Available January 2022



Multilevel installation terminal block; with push-button; with N-disconnect slide link; gray

	Item No.	Pack. Unit
○ NT/L/PE	2205-7641	50

Multilevel installation terminal block; with push-button; gray

	Item No.	Pack. Unit
○ L/L	2205-7642	50
○ N/L	2205-7649	50


Multilevel installation terminal block; with push-button; gray

	Item No.	Pack. Unit
○ N/L/PE	2205-7646	50
○ L/L/PE	2205-7645	50


### Accessories; 2205 Series

Appropriate marking systems: WMB/Marking strips

End and intermediate plate; 1 mm thick

 orange	2205-7692	100 (25)
--	-----------	----------


Busbar carrier; not suitable as an end stop; snaps onto DIN-35 rail; 1.5 mm thick

 blue	2009-304	100 (25)
---	----------	----------


Busbar carrier; with end stop function and detachable separator plate; snaps onto DIN-35 rail; 7.5 mm thick

 blue	2009-305	25
---	----------	----

Busbar; tin-plated; 1000 mm long; copper (10 x 3) mm

 I <sub>N</sub> 140 A	210-133	1
---	---------	---


Busbar cover; 1000 mm long

 transparent	777-303	1
--	---------	---



1-conductor N-disconnect terminal block; I<sub>N</sub> 76 A; 16 mm<sup>2</sup>; 12 mm wide

 blue	2016-7714	20
---	-----------	----



1-conductor N-disconnect terminal block; I<sub>N</sub> 125 A; 35 mm<sup>2</sup>; 16 mm wide

 blue	785-613	15
---	---------	----

2-conductor supply terminal block for distribution boxes; I<sub>N</sub> 76 A; 16 mm<sup>2</sup>; 12 mm wide

 gray	2016-7601	20
 blue	2016-7604	20

2-conductor through terminal block; I<sub>N</sub> 125 A; 35 mm<sup>2</sup>; 16 mm wide

 gray	785-601	15
 blue	785-604	15


2-conductor ground terminal block; 16 mm<sup>2</sup>; 12 mm wide

 green-yellow	2016-7607	20
---	-----------	----

2-conductor ground terminal block; 35 mm<sup>2</sup>; 16 mm wide

 green-yellow	785-607	15
--	---------	----


Connector; for busbar; with blue cover; 2.5 ... 16 mm<sup>2</sup>

 blue	210-281	100 (50)
--	---------	----------


Connector; for busbar; 2.5 ... 35 mm<sup>2</sup>

 uninsulated	209-105	50
---	---------	----


Lock-out; prevents reclosing of slide link; snap-on type

 orange	2005-7300	100 (25)
--	-----------	----------


Insulation stop; 5 pcs/strip; 0.25 ... 0.5 mm<sup>2</sup>

 light gray	2004-171	200 (25)
--	----------	----------


Insulation stop; 5 pcs/strip; 0.75 ... 1 mm<sup>2</sup>

 dark gray	2004-172	200 (25)
---	----------	----------


Push-in type jumper bar; insulated; I<sub>N</sub> 32 A; light gray

 2-way	2004-402	25
3-way	2004-403	25
4-way	2004-404	25
5-way	2004-405	25
6-way	2004-406	25
7-way	2004-407	25
8-way	2004-408	25
9-way	2004-409	25
10-way	2004-410	25


Push-in type jumper bar; insulated; I<sub>N</sub> 32 A; light gray

 1 to 3	2004-433	25
1 to 4	2004-434	25
1 to 5	2004-435	25
1 to 6	2004-436	25
1 to 7	2004-437	25
1 to 8	2004-438	25
1 to 9	2004-439	25
1 to 10	2004-440	25


Testing tap; for max. 2.5 mm<sup>2</sup>

 gray	2009-182	100 (25)
--	----------	----------


Marking strip; plain; 11 mm wide; 50 m reel

 white	2009-110	1
---	----------	---


WMB marker card; white; 10 strips with 10 markers/card; stretchable 5 ... 5.2 mm

 plain	793-5501	5
---	----------	---


Operating tool; 3.5 mm and 2.5 mm blade; for TOPJOB® S Installation Terminal Blocks

 2009-309	50 (1)
--	--------

Operating tool; 3.5 mm and 5.5 mm blade; for TOPJOB® S Installation Terminal Blocks

 2009-310	50 (1)
--	--------

Operating tool; (3.5 x 0.5) mm blade; with a partially insulated shaft

 210-720	1
---	---



① Conductor range: 0.5 ... 6 mm<sup>2</sup> "s+f-st"  
 Push-in termination: 1.5 ... 6 mm<sup>2</sup> "s" and 1.5 ... 4 mm<sup>2</sup> "insulated ferrules, 12 mm"  
 Depending on the conductor characteristic, a conductor with a smaller cross-section can also be inserted via push-in termination.

② 250 V / 400 V = rated voltage  
 4 kV / 6 kV = rated impulse voltage  
 3 = pollution degree  
 250 V/4 kV potential – ground  
 400 V/6 kV potential – potential

See application notes in our TOPJOB® S catalog:  
 Testing accessories, page 165  
 Marking accessories, from page 266

Approvals and corresponding ratings,  
 visit [www.wago.com](http://www.wago.com)

**Application note:**

N-disconnect slide links, used in installation terminal blocks, consist of switch contacts that are opened and then closed again as part of regular circuit testing. To guarantee a reliable connection, a corrosion-resistant contact area is required on the N-busbar.

Historically, uninsulated copper busbars that have been cleaned/stripped of any possible corrosion before install can be used in dry, pollution-free locations.

According to DIN VDE 0100-520 (VDE 0100, Part 520), installation equipment exposed to contamination or corrosive substances (e.g., water) that promote corrosion or deterioration must be protected or made of a corrosion- or wear-resistant material. In these cases, tinned copper busbars guarantee a reliable connection.

WAGO only offers tinned copper busbars.

# Miniature Rail-Mount Terminal Blocks TOPJOB® S; with/without Push-Buttons and with Push-in CAGE CLAMP® 2252 and 2052 Series Description and Installation



Insert ferruled conductors via push-in termination.



Insert fine-stranded conductors via operating tool.



Remove all conductors via operating tool.



Insert a jumper (star point jumper) and push down until it hits the backstop.



Insert a jumper (delta jumper) and push down until it hits the backstop.



Marking strip (2009-110) inserted in the marking slot with jumper symbols of the inserted jumper



Snapping a marking strip (2009-110) into a marker slot.



Snapping a WMB marking strip into a marker slot.



Push-in CAGE CLAMP® terminates the following copper conductors:  
solid "s"



stranded "st"



fine-stranded "f-st", also with tinned single strands

**PUSH-IN CAGE CLAMP®**



Insert ferruled conductors via push-in termination.



Insert fine-stranded conductors via operating tool.



Remove all conductors via operating tool.



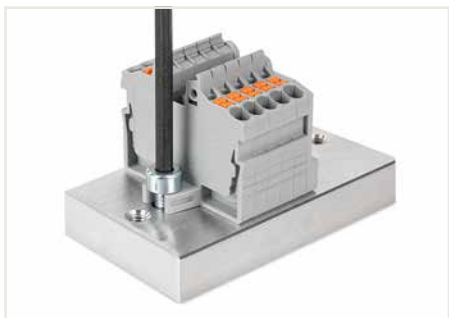
Mounting a terminal strip with snap-in feet into holes.



Terminal strip; with snap-in mounting feet  
Snapping a mounting foot (209-120).  
(Distance between mounting feet: approx. 20 ... 25 mm)



Terminal strip; with snap-in mounting feet; for DIN-35 rail  
(209-120 Mounting Foot)



Mounting and securing a terminal strip directly to the plate via screw-type flanges.



Terminal strip; with mounting flanges; screw mounting



Testing with a 2 mm Ø 210-136 Test Plug (max. 42 V).



fine-stranded,  
tip-bonded



fine-stranded,  
with ferrule  
(gastight crimped)

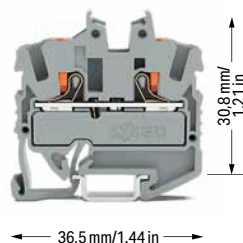


fine-stranded,  
with pin terminal  
(gastight crimped)

# Miniature Through Terminal Block and Ground Conductor Terminal Block TOPJOB® S; with Push-Button; for DIN-15 Rail 2.5 (4) mm²; 2252 Series

### Technical Data

0.25 ... 2.5 (4) mm² ①	22 ... 12 AWG
800 V/8 kV/3 ②	
I <sub>N</sub> 24 A (32 A)	
Terminal block width: 5.2 mm / 0.205 inch	
10 ... 12 mm / 0.39 ... 0.47 inch	



### 2-conductor miniature through terminal block; with push-button; for DIN-15 rail

Color	Item No.	Pack. Unit
gray	2252-1201	100
blue	2252-1204 ③	100

### 2-conductor miniature ground terminal block; with push-button; for DIN-15 rail

green-yellow	2252-1207	100
--------------	-----------	-----

### Accessories; 2252 Series

Appropriate marking systems:  
WMB/WMB Inline/Marking strips

### End and intermediate plate; 1.1 mm thick

gray	2052-1291	100 (25)
------	-----------	----------

### Insulation stop; 5 pcs/strip; 0.25 ... 0.5 mm²

light gray	2002-171	200 (25)
------------	----------	----------

### Insulation stop; 5 pcs/strip; 0.75 ... 1 mm²

dark gray	2002-172	200 (25)
-----------	----------	----------

### Push-in type jumper bar; insulated; I<sub>N</sub> 25 A; light gray

2-way	2002-402	25
3-way	2002-403	25
4-way	2002-404	25
5-way	2002-405	25
6-way	2002-406	25
7-way	2002-407	25
8-way	2002-408	25
9-way	2002-409	25
10-way	2002-410	25

### Push-in type jumper bar; insulated; I<sub>N</sub> 25 A; light gray

1 to 3	2002-433	25
1 to 4	2002-434	25
1 to 5	2002-435	25
1 to 6	2002-436	25
1 to 7	2002-437	25
1 to 8	2002-438	25
1 to 9	2002-439	25
1 to 10	2002-440	25

### Delta jumper; insulated; I<sub>N</sub> = I<sub>N</sub> terminal block; light gray

1-2 3-4 5-6	2002-406/020-000	25
-------------	------------------	----

① Conductor range: 0.25 ... 4 mm² "s+f-st"  
Push-in termination: 1 ... 4 mm² "s" and 1 ... 2.5 mm² "insulated ferrules, 12 mm"  
Depending on the conductor characteristic, a conductor with a smaller cross-section can also be inserted via push-in termination.

② 800 V = rated voltage  
8 kV = rated impulse voltage  
3 = pollution degree

③ Terminal blocks with a blue insulated housing are suitable for Ex i applications.

See application notes in our TOPJOB® S catalog:  
Jumpers, from page 166  
Testing accessories, page 165  
Marking accessories, from page 266

Approvals and corresponding ratings, visit [www.wago.com](http://www.wago.com)

### Accessories; 2252 Series

Appropriate marking systems:  
WMB/WMB Inline/Marking strips

### Star point jumper; insulated; I<sub>N</sub> = I<sub>N</sub> terminal block; light gray

1-3-5	2002-405/011-000	25
-------	------------------	----

### Staggered jumper; insulated; I<sub>N</sub> 25 A; light gray

2-way	2002-472	25
3-way	2002-473	25
4-way	2002-474	25
5-way	2002-475	25
6-way	2002-476	25
7-way	2002-477	25
8-way	2002-478	25
9-way	2002-479	25
10-way	2002-480	25
11-way	2002-481	25
12-way	2002-482	25

### Customized staggered jumper; insulated; with contact lugs broken off at the factory and circuit printing; I<sub>N</sub> 25 A; light gray

1-3	2002-473/011-000	25
1-3-5	2002-475/011-000	25
1-3-5-7	2002-477/011-000	25
1-3-5-7-9	2002-479/011-000	25
1-3-5-7-9-11	2002-481/011-000	25

### Adjacent jumper for continuous commoning; insulated; I<sub>N</sub> 25 A; light gray

2-way	2002-400	25
-------	----------	----

### Adjacent jumper for continuous commoning; insulated; I<sub>N</sub> 25 A; 1 to 3

light gray	2002-423	25
red	2002-423/000-005	25
blue	2002-423/000-006	25

### Push-in type wire jumper; insulated; 1.5 mm² conductor cross-section; I<sub>N</sub> 18 A

L = 60 mm	2009-412	100 (10)
L = 110 mm	2009-414	100 (10)
L = 250 mm	2009-416	100 (10)

### L-type test plug module; snaps together

gray	2002-611	100 (25)
------	----------	----------

### L-type spacer module; snaps together; bridges commoned terminal blocks,

gray	2002-649	100 (25)
------	----------	----------

### Accessories; 2252 Series

Appropriate marking systems:  
WMB/WMB Inline/Marking strips

### Test plug; with 500 mm cable; 2 mm Ø; max. 42 V

red	210-136	50
-----	---------	----

### Test plug adapter; for 4 mm Ø test plug

gray	2009-174	100 (25)
------	----------	----------

### Testing tap; for max. 2.5 mm²

gray	2009-182	100 (25)
------	----------	----------

### Marking strip; plain; 11 mm wide; 50 m reel

white	2009-110	1
-------	----------	---

### WMB Inline; plain; 1,500 WMB markers (5 mm)/reel; stretchable 5 ... 5.2 mm

white	2009-115	1
-------	----------	---

### WMB marker card; white; 10 strips with 10 markers/card; stretchable 5 ... 5.2 mm

plain	793-5501	5
-------	----------	---

### Screwless end stop; for DIN-15 rail; 6 mm wide

gray	249-101	25
------	---------	----

### Steel DIN-rail; per EN 60715; 15 x 5.5 mm; 1 mm thick; 2 m long

slotted	210-111	10 (1)
unslotted	210-295	10 (1)

### Aluminum DIN-rail; similar to EN 60715; 15 x 5.5 mm; 1 mm thick; 2 m long

unslotted	210-296	1
-----------	---------	---

# Miniature Through Terminal Block and Ground Conductor Terminal Block TOPJOB® S; for DIN-15 Rail

## 2.5 (4) mm<sup>2</sup>; 2052 Series

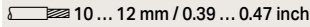
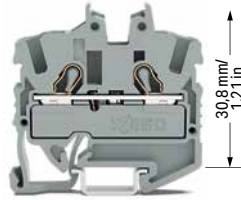
### Technical Data

0.25 ... 2.5 (4) mm<sup>2</sup> ① | 22 ... 12 AWG

800 V/8 kV/3 ②

I<sub>N</sub> 24 A (32 A)

Terminal block width: 5.2 mm / 0.205 inch


 10 ... 12 mm / 0.39 ... 0.47 inch


 36.5 mm / 1.44 in

2-conductor miniature through terminal block; for DIN-15 rail

Color	Item No.	Pack. Unit
gray	2052-1201	100
blue	2052-1204 ③	100

2-conductor miniature ground terminal block; for DIN-15 rail

green-yellow	2052-1207	100
--------------	-----------	-----

### Accessories; 2052 Series

Appropriate marking systems:  
WMB/WMB Inline/Marking strips

End and intermediate plate; 1.1 mm thick

gray	2052-1291	100 (25)
------	-----------	----------

Insulation stop; 5 pcs/strip; 0.25 ... 0.5 mm<sup>2</sup>

light gray	2002-171	200 (25)
------------	----------	----------

Insulation stop; 5 pcs/strip; 0.75 ... 1 mm<sup>2</sup>

dark gray	2002-172	200 (25)
-----------	----------	----------

Protective warning marker; with black high-voltage symbol; for 5 terminal blocks

yellow	2002-115	100 (25)
--------	----------	----------

Push-in type jumper bar; insulated; I<sub>N</sub> 25 A; light gray

2-way	2002-402	25
3-way	2002-403	25
4-way	2002-404	25
5-way	2002-405	25
6-way	2002-406	25
7-way	2002-407	25
8-way	2002-408	25
9-way	2002-409	25
10-way	2002-410	25

Push-in type jumper bar; insulated; I<sub>N</sub> 25 A; light gray

1 to 3	2002-433	25
1 to 4	2002-434	25
1 to 5	2002-435	25
1 to 6	2002-436	25
1 to 7	2002-437	25
1 to 8	2002-438	25
1 to 9	2002-439	25
1 to 10	2002-440	25

① Conductor range: 0.25 ... 4 mm<sup>2</sup> "s+f-st"  
Push-in termination: 1 ... 4 mm<sup>2</sup> "s" and 1 ... 2.5 mm<sup>2</sup> "insulated ferrules, 12 mm"  
Depending on the conductor characteristic, a conductor with a smaller cross-section can also be inserted via push-in termination.

② 800 V = rated voltage  
8 kV = rated impulse voltage  
3 = pollution degree

③ Terminal blocks with a blue insulated housing are suitable for Ex i applications.

See application notes in our TOPJOB® S catalog:  
Jumpers, from page 166  
Testing accessories, page 165  
Marking accessories, from page 266Approvals and corresponding ratings,  
visit [www.wago.com](http://www.wago.com)

### Accessories; 2052 Series

Appropriate marking systems:  
WMB/WMB Inline/Marking stripsDelta jumper; insulated; I<sub>N</sub> = I<sub>N</sub> terminal block; light gray

1-2 3-4 5-6	2002-406/020-000	25
-------------	------------------	----

Star point jumper; insulated; I<sub>N</sub> = I<sub>N</sub> terminal block; light gray

1-3-5	2002-405/011-000	25
-------	------------------	----

Staggered jumper; insulated; I<sub>N</sub> 25 A; light gray

2-way	2002-472	25
3-way	2002-473	25
4-way	2002-474	25
5-way	2002-475	25
6-way	2002-476	25
7-way	2002-477	25
8-way	2002-478	25
9-way	2002-479	25
10-way	2002-480	25
11-way	2002-481	25
12-way	2002-482	25

Customized staggered jumper; insulated; with contact lugs broken off at the factory and circuit printing; I<sub>N</sub> 25 A; light gray

1-3	2002-473/011-000	25
1-3-5	2002-475/011-000	25
1-3-5-7	2002-477/011-000	25
1-3-5-7-9	2002-479/011-000	25
1-3-5-7-9-11	2002-481/011-000	25

Adjacent jumper for continuous commoning; insulated; I<sub>N</sub> 25 A; light gray

2-way	2002-400	25
-------	----------	----

Adjacent jumper for continuous commoning; insulated; I<sub>N</sub> 25 A; 1 to 3

light gray	2002-423	25
red	2002-423/000-005	25
blue	2002-423/000-006	25

Push-in type wire jumper; insulated; 1.5 mm<sup>2</sup> conductor cross-section; I<sub>N</sub> 18 A

L = 60 mm	2009-412	100 (10)
L = 110 mm	2009-414	100 (10)
L = 250 mm	2009-416	100 (10)

### Accessories; 2052 Series

Appropriate marking systems:  
WMB/WMB Inline/Marking strips

L-type test plug module; snaps together

gray	2002-611	100 (25)
------	----------	----------

L-type spacer module; snaps together; bridges commoned terminal blocks.

gray	2002-649	100 (25)
------	----------	----------

Test plug; with 500 mm cable; 2 mm Ø; max. 42 V

red	210-136	50
-----	---------	----

Test plug adapter; for 4 mm Ø test plug

gray	2009-174	100 (25)
------	----------	----------

Testing tap; for max. 2.5 mm<sup>2</sup>

gray	2009-182	100 (25)
------	----------	----------

Marking strip; plain; 11 mm wide; 50 m reel

white	2009-110	1
-------	----------	---

WMB Inline; plain; 1,500 WMB markers (5 mm)/reel; stretchable 5 ... 5.2 mm

white	2009-115	1
-------	----------	---

WMB marker card; white; 10 strips with 10 markers/card; stretchable 5 ... 5.2 mm

plain	793-5501	5
-------	----------	---

Screwless end stop; for DIN-15 rail; 6 mm wide

gray	249-101	25
------	---------	----

Steel DIN-rail; per EN 60715; 15 x 5.5 mm; 1 mm thick; 2 m long


slotted	210-111	10 (1)
unslotted	210-295	10 (1)

Aluminum DIN-rail; similar to EN 60715; 15 x 5.5 mm; 1 mm thick; 2 m long

unslotted	210-296	1
-----------	---------	---

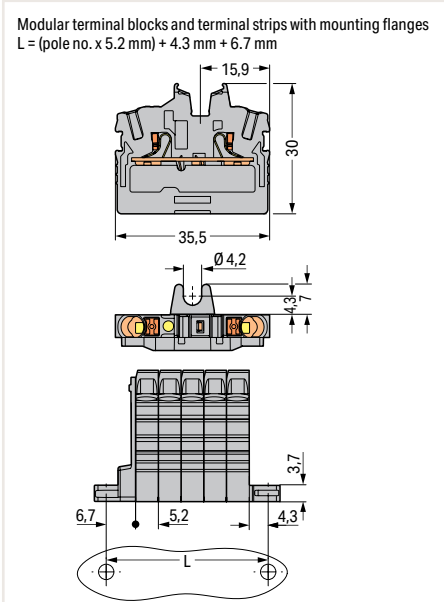
# Miniature Through Terminal Block TOPJOB® S; with Push-Button; with Mounting Flange 2.5 (4) mm²; 2252 Series

**Technical Data**

0.25 ... 2.5 (4) mm² ① | 22 ... 12 AWG  
 800 V/8 kV/3 ②  
 I<sub>N</sub> 24 A (32 A)  
 Terminal block width: 5.2 mm / 0.205 inch  
 10 ... 12 mm / 0.39 ... 0.47 inch



Dimensions in mm



2-conductor miniature through terminal block; with push-button; end terminal block with mounting flange; for screw or similar mounting types; 4.2 mm mounting hole diameter; with mounting foot (209-123) also for DIN-35 rail

Color	Item No.	Pack. Unit
gray	2252-301	100
blue	2252-304 ③	100
green-yellow	2252-307	100

2-conductor miniature through terminal block; with push-button; Center terminal block; without snap-in mounting foot; without mounting flange; for 0.6 ... 1.2 mm plate thickness; required between end plate and end terminal block for terminal strips with mounting flanges

gray	2252-321	100
blue	2252-324 ③	100
green-yellow	2252-327	100

**Accessories; 2252 Series**

Appropriate marking systems:  
 WMB/WMB Inline/Marking strips

End plate; with mounting flange; 1.3 mm thick

gray	2052-381	100 (25)
------	----------	----------

① Conductor range: 0.25 ... 4 mm² "s+f-st"  
 Push-in termination: 1 ... 4 mm² "s" and 1 ... 2.5 mm² "insulated ferrules, 12 mm"  
 Depending on the conductor characteristic, a conductor with a smaller cross-section can also be inserted via push-in termination.

② 800 V = rated voltage  
 8 kV = rated impulse voltage  
 3 = pollution degree

③ Terminal blocks with a blue insulated housing are suitable for Ex i applications.

See application notes in our TOPJOB® S catalog:  
 Jumpers, from page 166  
 Testing accessories, page 165  
 Marking accessories, from page 266

Approvals and corresponding ratings, visit [www.wago.com](http://www.wago.com)

**Accessories; 2252 Series**

Appropriate marking systems:  
 WMB/WMB Inline/Marking strips

Insulation stop; 5 pcs/strip; 0.25 ... 0.5 mm²

light gray	2002-171	200 (25)
------------	----------	----------

Insulation stop; 5 pcs/strip; 0.75 ... 1 mm²

dark gray	2002-172	200 (25)
-----------	----------	----------

Push-in type jumper bar; insulated; I<sub>N</sub> 25 A; light gray

2-way	2002-402	25
3-way	2002-403	25
4-way	2002-404	25
5-way	2002-405	25
6-way	2002-406	25
7-way	2002-407	25
8-way	2002-408	25
9-way	2002-409	25
10-way	2002-410	25

Push-in type jumper bar; insulated; I<sub>N</sub> 25 A; light gray

1 to 3	2002-433	25
1 to 4	2002-434	25
1 to 5	2002-435	25
1 to 6	2002-436	25
1 to 7	2002-437	25
1 to 8	2002-438	25
1 to 9	2002-439	25
1 to 10	2002-440	25

Delta jumper; insulated; I<sub>N</sub> = I<sub>N</sub> terminal block; light gray

1-2 3-4 5-6	2002-406/020-000	25
-------------	------------------	----

Star point jumper; insulated; I<sub>N</sub> = I<sub>N</sub> terminal block; light gray

1-3-5	2002-405/011-000	25
-------	------------------	----

Adjacent jumper for continuous commoning; insulated; I<sub>N</sub> 25 A; light gray

2-way	2002-400	25
-------	----------	----

Adjacent jumper for continuous commoning; insulated; I<sub>N</sub> 25 A; 1 to 3

light gray	2002-423	25
red	2002-423/000-005	25
blue	2002-423/000-006	25

**Accessories; 2252 Series**

Appropriate marking systems:  
 WMB/WMB Inline/Marking strips

Staggered jumper; insulated; I<sub>N</sub> 25 A; light gray

2-way	2002-472	25
3-way	2002-473	25
4-way	2002-474	25
5-way	2002-475	25
6-way	2002-476	25
7-way	2002-477	25
8-way	2002-478	25
9-way	2002-479	25
10-way	2002-480	25
11-way	2002-481	25
12-way	2002-482	25

Customized staggered jumper; insulated; with contact lugs broken off at the factory and circuit printing; I<sub>N</sub> 25 A; light gray

1-3	2002-473/011-000	25
1-3-5	2002-475/011-000	25
1-3-5-7	2002-477/011-000	25
1-3-5-7-9	2002-479/011-000	25
1-3-5-7-9-11	2002-481/011-000	25

Push-in type wire jumper; insulated; 1.5 mm² conductor cross-section; I<sub>N</sub> 18 A

L = 60 mm	2009-412	100 (10)
L = 110 mm	2009-414	100 (10)
L = 250 mm	2009-416	100 (10)

L-type test plug module; snaps together

gray	2002-611	100 (25)
------	----------	----------

Marking strip; plain; 11 mm wide; 50 m reel

white	2009-110	1
-------	----------	---

WMB Inline; plain; 1,500 WMB markers (5 mm)/reel; stretchable 5 ... 5.2 mm

white	2009-115	1
-------	----------	---

WMB marker card; white; 10 strips with 10 markers/card; stretchable 5 ... 5.2 mm

plain	793-5501	5
-------	----------	---

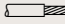
Mounting foot with screw; for DIN-35 rail; can be screwed on terminal blocks with mounting flange; 6.4 mm wide

gray	209-123	25
------	---------	----

Mounting adapter; for DIN-35 rail; can be used as an end stop; 6.5 mm wide

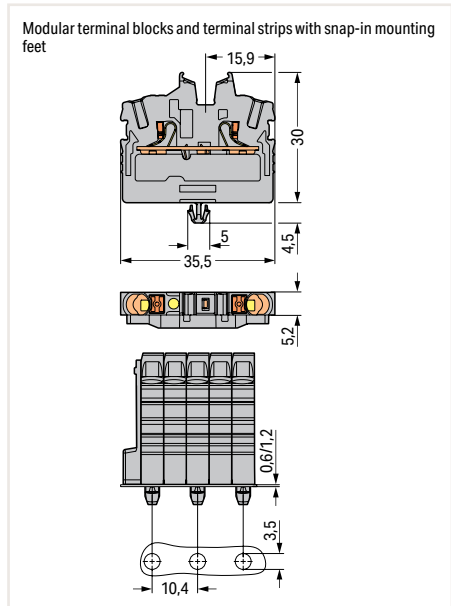
gray	209-137	25
------	---------	----

# Miniature Through Terminal Block TOPJOB® S; with Push-Button; with Snap-In Mounting Foot 2.5 (4) mm²; 2252 Series

Technical Data	
0.25 ... 2.5 (4) mm² ①	22 ... 12 AWG
800 V/8 kV/3 ②	
I <sub>N</sub> 24 A (32 A)	
Terminal block width: 5.2 mm / 0.205 inch	
 10 ... 12 mm / 0.39 ... 0.47 inch	



Dimensions in mm



2-conductor miniature through terminal block; with push-button on one side; with snap-in mounting foot; for 0.6 ... 1.2 mm plate thickness; 3.5 mm mounting hole diameter; also for aluminum DIN-rail (210-154) or with mounting foot (209-120) for DIN-35 rail

Color	Item No.	Pack. Unit
gray	2252-311	100
blue	2252-314 ③	100
green-yellow	2252-317	100

2-conductor miniature through terminal block; with push-button; Center terminal block; without snap-in mounting foot; without mounting flange; for 0.6 ... 1.2 mm plate thickness; required between end plate and end terminal block for terminal strips with mounting flanges

Color	Item No.	Pack. Unit
gray	2252-321	100
blue	2252-324 ③	100
green-yellow	2252-327	100

**Accessories; 2252 Series**

Appropriate marking systems:  
WMB/WMB Inline/Marking strips

End plate; for terminal blocks with snap-in mounting foot; 3.4 mm thick

Color	Item No.	Pack. Unit
gray	2052-391	100 (25)



① Conductor range: 0.25 ... 4 mm² "s+f-st"  
Push-in termination: 1 ... 4 mm² "s" and 1 ... 2.5 mm² "insulated ferrules, 12 mm"  
Depending on the conductor characteristic, a conductor with a smaller cross-section can also be inserted via push-in termination.

② 800 V = rated voltage  
8 kV = rated impulse voltage  
3 = pollution degree

③ Terminal blocks with a blue insulated housing are suitable for Ex i applications.

See application notes in our TOPJOB® S catalog:  
Jumpers, from page 166  
Testing accessories, page 165  
Marking accessories, from page 266

Approvals and corresponding ratings, visit [www.wago.com](http://www.wago.com)

**Accessories; 2252 Series**

Appropriate marking systems:  
WMB/WMB Inline/Marking strips

**Insulation stop; 5 pcs/strip; 0.25 ... 0.5 mm²**

Color	Item No.	Pack. Unit
light gray	2002-171	200 (25)

**Insulation stop; 5 pcs/strip; 0.75 ... 1 mm²**

Color	Item No.	Pack. Unit
dark gray	2002-172	200 (25)

**Push-in type jumper bar; insulated; I<sub>N</sub> 25 A; light gray**

Way	Item No.	Pack. Unit
2-way	2002-402	25
3-way	2002-403	25
4-way	2002-404	25
5-way	2002-405	25
6-way	2002-406	25
7-way	2002-407	25
8-way	2002-408	25
9-way	2002-409	25
10-way	2002-410	25

**Push-in type jumper bar; insulated; I<sub>N</sub> 25 A; light gray**

Configuration	Item No.	Pack. Unit
1 to 3	2002-433	25
1 to 4	2002-434	25
1 to 5	2002-435	25
1 to 6	2002-436	25
1 to 7	2002-437	25
1 to 8	2002-438	25
1 to 9	2002-439	25
1 to 10	2002-440	25

**Delta jumper; insulated; I<sub>N</sub> = I<sub>N</sub> terminal block; light gray**

Configuration	Item No.	Pack. Unit
1-2 3-4 5-6	2002-406/020-000	25

**Star point jumper; insulated; I<sub>N</sub> = I<sub>N</sub> terminal block; light gray**

Configuration	Item No.	Pack. Unit
1-3-5	2002-405/011-000	25

**Adjacent jumper for continuous commoning; insulated; I<sub>N</sub> 25 A; light gray**

Way	Item No.	Pack. Unit
2-way	2002-400	25

**Adjacent jumper for continuous commoning; insulated; I<sub>N</sub> 25 A; 1 to 3**

Color	Item No.	Pack. Unit
light gray	2002-423	25
red	2002-423/000-005	25
blue	2002-423/000-006	25

**Accessories; 2252 Series**

Appropriate marking systems:  
WMB/WMB Inline/Marking strips

**Staggered jumper; insulated; I<sub>N</sub> 25 A; light gray**

Way	Item No.	Pack. Unit
2-way	2002-472	25
3-way	2002-473	25
4-way	2002-474	25
5-way	2002-475	25
6-way	2002-476	25
7-way	2002-477	25
8-way	2002-478	25
9-way	2002-479	25
10-way	2002-480	25
11-way	2002-481	25
12-way	2002-482	25

**Push-in type wire jumper; insulated; 1.5 mm² conductor cross-section; I<sub>N</sub> 18 A**

Length (L)	Item No.	Pack. Unit
L = 60 mm	2009-412	100 (10)
L = 110 mm	2009-414	100 (10)
L = 250 mm	2009-416	100 (10)

**L-type test plug module; snaps together**

Color	Item No.	Pack. Unit
gray	2002-611	100 (25)

**Marking strip; plain; 11 mm wide; 50 m reel**

Color	Item No.	Pack. Unit
white	2009-110	1

**WMB Inline; plain; 1,500 WMB markers (5 mm)/reel; stretchable 5 ... 5.2 mm**

Color	Item No.	Pack. Unit
white	2009-115	1

**WMB marker card; white; 10 strips with 10 markers/card; stretchable 5 ... 5.2 mm**

Color	Item No.	Pack. Unit
plain	793-5501	5

**Aluminum DIN-rail; 1000 mm long; 18 mm wide; 7 mm high**

Item No.	Pack. Unit
210-154	1

**Plastic end stop; with WSB marker slot; for aluminum DIN-rail (210-154); 6 mm wide**

Item No.	Pack. Unit
209-122	25

**Mounting foot; for DIN-35 rail; snaps onto terminal blocks with snap-in mounting foot; 6.4 mm wide**

Color	Item No.	Pack. Unit
gray	209-120	25

**Mounting screw; for mounting foot (209-120)**

Item No.	Pack. Unit
209-119	500 (50)

**Mounting adapter; for DIN-35 rail; can be used as an end stop; 6.5 mm wide**

Color	Item No.	Pack. Unit
gray	209-137	25

# Miniature Through Terminal Block TOPJOB® S; with Mounting Flange 2.5 (4) mm<sup>2</sup>; 2052 Series

### Technical Data

0.25 ... 2.5 (4) mm<sup>2</sup> ① | 22 ... 12 AWG

800 V/8 kV/3 ②

I<sub>N</sub> 24 A (32 A)

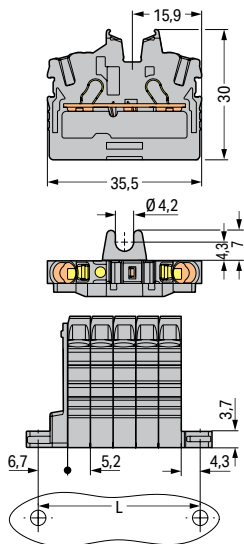
Terminal block width: 5.2 mm / 0.205 inch

10 ... 12 mm / 0.39 ... 0.47 inch



Dimensions in mm

Modular terminal blocks and terminal strips with mounting flanges  
L = (pole no. x 5.2 mm) + 4.3 mm + 6.7 mm



2-conductor miniature through terminal block; with mounting flange; for screw or similar mounting types; 4.2 mm mounting hole diameter; with mounting foot (209-123) also for DIN-35 rail

Color	Item No.	Pack. Unit
gray	2052-301	100
blue	2052-304 ③	100
green-yellow	2052-307	100

2-conductor miniature through terminal block; Center terminal block; without snap-in mounting foot; without mounting flange; for 0.6 ... 1.2 mm plate thickness; required between end plate and end terminal block for terminal strips with mounting flanges

gray	2052-321	100
blue	2052-324 ③	100
green-yellow	2052-327	100

### Accessories; 2052 Series

Appropriate marking systems:  
WMB/WMB Inline/Marking strips

End plate; with mounting flange; 1.3 mm thick

gray	2052-381	100 (25)
------	----------	----------

① Conductor range: 0.25 ... 4 mm<sup>2</sup> "s+f-st"  
Push-in termination: 1 ... 4 mm<sup>2</sup> "s" and 1 ... 2.5 mm<sup>2</sup> "insulated ferrules, 12 mm"  
Depending on the conductor characteristic, a conductor with a smaller cross-section can also be inserted via push-in termination.

② 800 V = rated voltage  
8 kV = rated impulse voltage  
3 = pollution degree

③ Terminal blocks with a blue insulated housing are suitable for Ex i applications.

See application notes in our TOPJOB® S catalog:  
Jumpers, from page 166  
Testing accessories, page 165  
Marking accessories, from page 266

Approvals and corresponding ratings, visit [www.wago.com](http://www.wago.com)

### Accessories; 2252 Series

Appropriate marking systems:  
WMB/WMB Inline/Marking strips

Protective warning marker; with black high-voltage symbol; for 5 terminal blocks

yellow	2002-115	100 (25)
--------	----------	----------

Insulation stop; 5 pcs/strip; 0.25 ... 0.5 mm<sup>2</sup>

light gray	2002-171	200 (25)
------------	----------	----------

Insulation stop; 5 pcs/strip; 0.75 ... 1 mm<sup>2</sup>

dark gray	2002-172	200 (25)
-----------	----------	----------

Push-in type jumper bar; insulated; I<sub>N</sub> 25 A; light gray

2-way	2002-402	25
3-way	2002-403	25
4-way	2002-404	25
5-way	2002-405	25
6-way	2002-406	25
7-way	2002-407	25
8-way	2002-408	25
9-way	2002-409	25
10-way	2002-410	25

Push-in type jumper bar; insulated; I<sub>N</sub> 25 A; light gray

1 to 3	2002-433	25
1 to 4	2002-434	25
1 to 5	2002-435	25
1 to 6	2002-436	25
1 to 7	2002-437	25
1 to 8	2002-438	25
1 to 9	2002-439	25
1 to 10	2002-440	25

Delta jumper; insulated; I<sub>N</sub> = I<sub>N</sub> terminal block; light gray

1-2 3-4 5-6	2002-406/020-000	25
-------------	------------------	----

Star point jumper; insulated; I<sub>N</sub> = I<sub>N</sub> terminal block; light gray

1-3-5	2002-405/011-000	25
-------	------------------	----

Adjacent jumper for continuous commoning; insulated; I<sub>N</sub> 25 A; light gray

2-way	2002-400	25
-------	----------	----

### Accessories; 2252 Series

Appropriate marking systems:  
WMB/WMB Inline/Marking strips

Adjacent jumper for continuous commoning; insulated; I<sub>N</sub> 25 A; 1 to 3

light gray	2002-423	25
red	2002-423/000-005	25
blue	2002-423/000-006	25

Staggered jumper; insulated; I<sub>N</sub> 25 A; light gray

2-way	2002-472	25
3-way	2002-473	25
4-way	2002-474	25
5-way	2002-475	25
6-way	2002-476	25
7-way	2002-477	25
8-way	2002-478	25
9-way	2002-479	25
10-way	2002-480	25
11-way	2002-481	25
12-way	2002-482	25

Customized staggered jumper; insulated; with contact lugs broken off at the factory and circuit printing; I<sub>N</sub> 25 A; light gray

1-3	2002-473/011-000	25
1-3-5	2002-475/011-000	25
1-3-5-7	2002-477/011-000	25
1-3-5-7-9	2002-479/011-000	25
1-3-5-7-9-11	2002-481/011-000	25

Push-in type wire jumper; insulated; 1.5 mm<sup>2</sup> conductor cross-section; I<sub>N</sub> 18 A

L = 60 mm	2009-412	100 (10)
L = 110 mm	2009-414	100 (10)
L = 250 mm	2009-416	100 (10)

L-type test plug module; snaps together

gray	2002-611	100 (25)
------	----------	----------

Marking strip; plain; 11 mm wide; 50 m reel

white	2009-110	1
-------	----------	---

WMB Inline; plain; 1,500 WMB markers (5 mm)/reel; stretchable 5 ... 5.2 mm

white	2009-115	1
-------	----------	---

WMB marker card; white; 10 strips with 10 markers/card; stretchable 5 ... 5.2 mm

plain	793-5501	5
-------	----------	---

Mounting foot with screw; for DIN-35 rail; can be screwed on terminal blocks with mounting flange; 6.4 mm wide

gray	209-123	25
------	---------	----

Mounting adapter; for DIN-35 rail; can be used as an end stop; 6.5 mm wide

gray	209-137	25
------	---------	----



# Miniature Through Terminal Block TOPJOB® S; with Snap-In Mounting Foot 2.5 (4) mm²; 2052 Series

### Technical Data

0.25 ... 2.5 (4) mm² ① | 22 ... 12 AWG

800 V/8 kV/3 ②

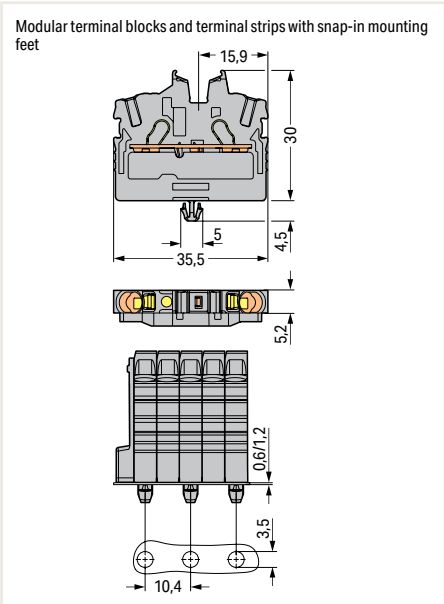
I<sub>N</sub> 24 A (32 A)

Terminal block width: 5.2 mm / 0.205 inch

10 ... 12 mm / 0.39 ... 0.47 inch



Dimensions in mm



2-conductor miniature through terminal block; with snap-in mounting foot; for 0.6 ... 1.2 mm plate thickness; 3.5 mm mounting hole diameter; also for aluminum DIN-rail (210-154) or with mounting foot (209-120) for DIN-35 rail

Color	Item No.	Pack. Unit
gray	2052-311	100
blue	2052-314 ③	100
green-yellow	2052-317	100

2-conductor miniature through terminal block; Center terminal block; without snap-in mounting foot; without mounting flange; for 0.6 ... 1.2 mm plate thickness; required between end plate and end terminal block for terminal strips with mounting flanges

gray	2052-321	100
blue	2052-324 ③	100
green-yellow	2052-327	100

### Accessories; 2052 Series

Appropriate marking systems:  
WMB/WMB Inline/Marking strips

End plate; for terminal blocks with snap-in mounting foot; 3.4 mm thick

gray	2052-391	100 (25)
------	----------	----------



① Conductor range: 0.25 ... 4 mm² "s+f-st"  
Push-in termination: 1 ... 4 mm² "s" and 1 ... 2.5 mm² "insulated ferrules, 12 mm"  
Depending on the conductor characteristic, a conductor with a smaller cross-section can also be inserted via push-in termination.

② 800 V = rated voltage  
8 kV = rated impulse voltage  
3 = pollution degree

③ Terminal blocks with a blue insulated housing are suitable for Ex i applications.

See application notes in our TOPJOB® S catalog:  
Jumpers, from page 166  
Testing accessories, page 165  
Marking accessories, from page 266

Approvals and corresponding ratings, visit [www.wago.com](http://www.wago.com)

### Accessories; 2252 Series

Appropriate marking systems:  
WMB/WMB Inline/Marking strips

Insulation stop; 5 pcs/strip; 0.25 ... 0.5 mm²

light gray	2002-171	200 (25)
------------	----------	----------

Insulation stop; 5 pcs/strip; 0.75 ... 1 mm²

dark gray	2002-172	200 (25)
-----------	----------	----------

Protective warning marker; with black high-voltage symbol; for 5 terminal blocks

yellow	2002-115	100 (25)
--------	----------	----------

Push-in type jumper bar; insulated; I<sub>N</sub> 25 A; light gray

2-way	2002-402	25
3-way	2002-403	25
4-way	2002-404	25
5-way	2002-405	25
6-way	2002-406	25
7-way	2002-407	25
8-way	2002-408	25
9-way	2002-409	25
10-way	2002-410	25

Push-in type jumper bar; insulated; I<sub>N</sub> 25 A; light gray

1 to 3	2002-433	25
1 to 4	2002-434	25
1 to 5	2002-435	25
1 to 6	2002-436	25
1 to 7	2002-437	25
1 to 8	2002-438	25
1 to 9	2002-439	25
1 to 10	2002-440	25

Delta jumper; insulated; I<sub>N</sub> = I<sub>N</sub> terminal block; light gray

1-2 3-4 5-6	2002-406/020-000	25
-------------	------------------	----

Star point jumper; insulated; I<sub>N</sub> = I<sub>N</sub> terminal block; light gray

1-3-5	2002-405/011-000	25
-------	------------------	----

Adjacent jumper for continuous commoning; insulated; I<sub>N</sub> 25 A; light gray

2-way	2002-400	25
-------	----------	----



### Accessories; 2252 Series

Appropriate marking systems:  
WMB/WMB Inline/Marking strips

Adjacent jumper for continuous commoning; insulated; I<sub>N</sub> 25 A; 1 to 3

light gray	2002-423	25
red	2002-423/000-005	25
blue	2002-423/000-006	25

Staggered jumper; insulated; I<sub>N</sub> 25 A; light gray

2-way	2002-472	25
3-way	2002-473	25
4-way	2002-474	25
5-way	2002-475	25
6-way	2002-476	25
7-way	2002-477	25
8-way	2002-478	25
9-way	2002-479	25
10-way	2002-480	25
11-way	2002-481	25
12-way	2002-482	25

Push-in type wire jumper; insulated; 1.5 mm² conductor cross-section; I<sub>N</sub> 18 A

L = 60 mm	2009-412	100 (10)
L = 110 mm	2009-414	100 (10)
L = 250 mm	2009-416	100 (10)

L-type test plug module; snaps together

gray	2002-611	100 (25)
------	----------	----------

Marking strip; plain; 11 mm wide; 50 m reel

white	2009-110	1
-------	----------	---

WMB Inline; plain; 1,500 WMB markers (5 mm)/reel; stretchable 5 ... 5.2 mm

white	2009-115	1
-------	----------	---

WMB marker card; white; 10 strips with 10 markers/card; stretchable 5 ... 5.2 mm

plain	793-5501	5
-------	----------	---

Aluminum DIN-rail; 1000 mm long; 18 mm wide; 7 mm high

210-154	1
---------	---

Plastic end stop; with WSB marker slot; for aluminum DIN-rail (210-154); 6 mm wide

209-122	25
---------	----

Mounting foot; for DIN-35 rail; snaps onto terminal blocks with snap-in mounting foot; 6.4 mm wide

gray	209-120	25
------	---------	----

Mounting screw; for mounting foot (209-120)

209-119	500 (50)
---------	----------

Mounting adapter; for DIN-35 rail; can be used as an end stop; 6.5 mm wide

gray	209-137	25
------	---------	----



## Fused Disconnect Terminal Block for 10/14 x 85 mm Cylindrical Fuses 16 mm<sup>2</sup>; 811 Series

### Technical Data

2.5 ... 16 mm<sup>2</sup> | 14 ... 6 AWG

1500 VDC, 32 A

Terminal block width: 22.3 mm / 0.878 inch

12 ... 13 mm / 0.47 ... 0.51 inch

Cylindrical fuses are not offered by WAGO. Temperature range: -35 ... +85 °C  
Electrical ratings are given by the fuse and blown fuse indication.

Approvals and corresponding ratings, visit [www.wago.com](http://www.wago.com)

Available December 2021



2-conductor fused disconnect terminal block; with a pivoting fuse holder; with test point; for 10/14 x 85 mm cylindrical fuses; for photovoltaic applications; for DIN-35 rail; light gray

Pole No.	Item No.	Pack. Unit
○ 1-pole	811-1316	12

Opening and closing lever via operating tool.



Removing a terminal block from the DIN-rail.



Inserting a fuse.



CAGE CLAMP® connection  
Inserting a conductor.  
Opening the clamping unit via integrated lever.



Terminating ferruled conductors up to 10 mm<sup>2</sup> (8 AWG).



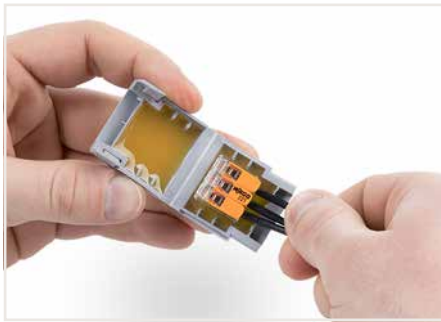
# Gelboxes; for Splicing Connectors

## 207 Series

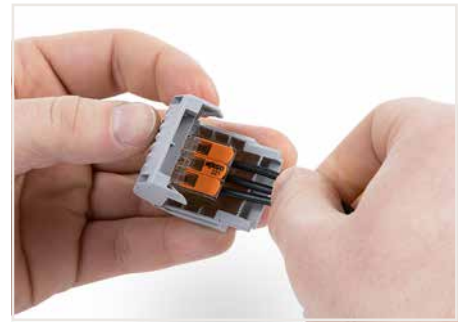
### Installation



Open the Gelbox at the side latches.



Place the wired connector in the Gelbox.



Close the Gelbox.



Close latch securely and press down in the center.



Re-accessible:  
Open the Gelbox, remove the gel, open the connector and rewire with new components.



For low voltage applications > 50 V, use the Gelbox in a junction box.



Connecting a bollard light



Opened Gelbox with connector

## Gelbox; for Splicing Connectors 207 Series

### Technical Data

Housing material: Polypropylene

Gel material: Polyurethane

Voltage range: see connector voltage

Rated current: see connector current

Rated surge voltage: 2.5 kV

Insulation resistance: 5 MΩ

Surrounding air temperature (operation): -55 ... 85 °C

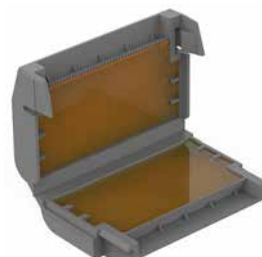
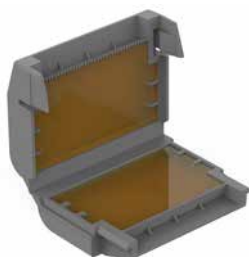
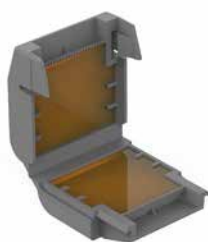
Surrounding air temperature (storage): 0 ... 40 °C

Physical properties: IPX8

Suitable for indefinite storage because the gel is free of hazardous substance according to CLP

Disposal: Household waste (residual waste)

Skin contact: After skin contact, clean with water; no special cleaning agent required



Gelbox; for conductors; branch; with gel; 221 Series, max. 6 mm<sup>2</sup> connectors; without splicing connectors; size 1

Color	Item No.	Pack. Unit
○ gray	207-1431	48 (4)







Gelbox; for conductors; branch; with gel; 221 Series, max. 6 mm<sup>2</sup> connectors; without splicing connectors; size 2

Color	Item No.	Pack. Unit
○ gray	207-1432	36 (3)

Gelbox; for conductors; branch; with gel; 221 Series, max. 6 mm<sup>2</sup> connectors; without splicing connectors; size 3

Color	Item No.	Pack. Unit
○ gray	207-1433	24 (2)

### Permitted Combinations of Connectors and Gelbox:

Item No.	221-412	221-413	221-415	221-612	221-613	221-615	2273-202	2273-203	2273-204	2273-208
207-1431				1 x 	1 x 	-				
207-1432				2 x 	-	1 x 				
207-1433				3 x 	2 x 	-				

Note: With other combinations, the high degree of protection cannot be guaranteed because the gel displacement is too limited or the Gel Boxes can no longer be closed.

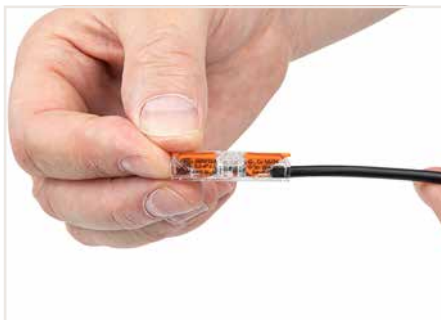
# Inline Splicing Connectors

## 221 Series

### Installation



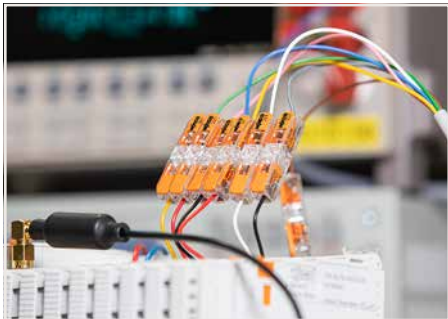
Push up the lever to open the clamping unit and insert the conductor.



Push the lever back down.

**Your Benefits:**

- Inline connection of solid, stranded and fine-stranded conductors from 0.2 to 4 mm<sup>2</sup>
- Slim design needs minimum space in tight areas
- Tool-free connection and disconnection thanks to convenient lever technology
- Use a mounting carrier for fixed and multi-pole wiring



Perfect for test setups



Simple extension of lines



Lighting connection in suspended ceilings



Multi-pole, fixed lighting fixture wiring

## Inline Splicing Connector 221 Series

Technical Data	
0.2 ... 4 mm <sup>2</sup> "s"	20 ... 14 AWG "s"
0.2 ... 2.5 mm <sup>2</sup> "st"	18 ... 14 AWG "st"
0.2 ... 4 mm <sup>2</sup> "f-st"	18 ... 14 AWG "f-st"
450 V/4 kV/2 ①	600 V, 20 A <sup>②</sup>
I <sub>N</sub> 32 A	
11 mm / 0.43 inch	



Technical Data	
0.2 ... 4 mm <sup>2</sup> "s"	20 ... 12 AWG "s"
0.2 ... 2.5 mm <sup>2</sup> "st"	18 ... 12 AWG "st"
0.34 ... 4 mm <sup>2</sup> "f-st"	18 ... 12 AWG "f-st"
450 V/4 kV/2 ①	600 V, 20 A <sup>②</sup>
I <sub>N</sub> 32 A	
11 mm / 0.43 inch	

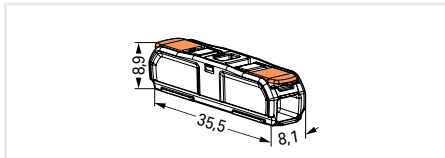


① 450 V = rated voltage  
4 kV = rated impulse voltage  
2 = pollution degree  
(see Full Line Catalog, Volume 1, Section 15)

Approvals and corresponding ratings, visit [www.wago.com](http://www.wago.com)

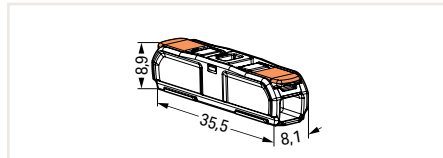
available January 2022

Dimensions in mm



Inline splicing connector with levers; transparent housing; transparent cover		
	Item No.	Pack. Unit
	221-2411	600 (60)

Dimensions in mm



Inline splicing connector with levers; transparent housing; white cover		
	Item No.	Pack. Unit
	221-2401	600 (60)

## Mounting Carrier; for Inline Splicing Connectors Installation



Place the inline splicing connector on the carrier in front of the mounting position.



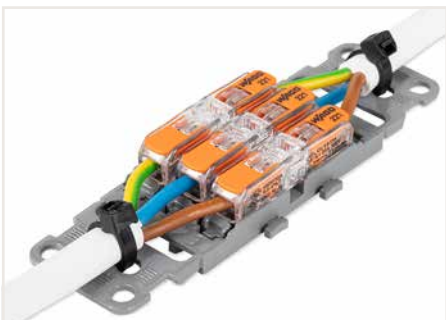
Push the connector to the center position until it snaps into place.



Wiring can also be performed in a fixed position.



Various combinations of 1- to 5-connector mounting carriers are possible via side-by-side latching mechanism.



3-pole mounting carrier with strain relief



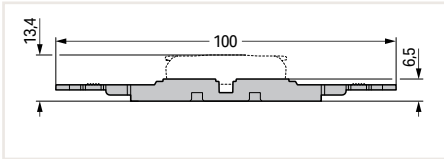
Mounting carrier without strain relief – snapped onto DIN-rail



# Mounting Carrier; for Inline Splicing Connectors 221 Series



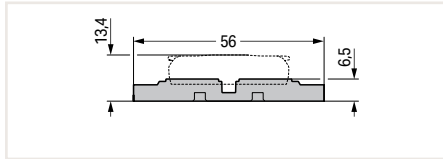
Dimensions in mm



Mounting carrier with strain relief; for inline splicing connector with levers; for screw mounting; gray

	Item No.	Pack. Unit
○ 1x	221-2501	25 (5)
○ 2x	221-2502	25 (5)
○ 3x	221-2503	25 (5)
○ 4x	221-2504	25 (5)
○ 5x	221-2505	25 (5)

Dimensions in mm



Mounting carrier; for inline splicing connector with levers; for screw mounting; gray

	Item No.	Pack. Unit
○ 1x	221-2521	25 (5)
○ 2x	221-2522	25 (5)
○ 3x	221-2523	25 (5)
○ 4x	221-2524	25 (5)
○ 5x	221-2525	25 (5)

### Accessories; 221 Series

Appropriate marking systems:  
WMB/WMB Inline/Marking strips

Mounting foot; can be screwed on terminal blocks with mounting flange; for DIN-15 rail; 6.4 mm wide

gray	209-1116	25
------	----------	----

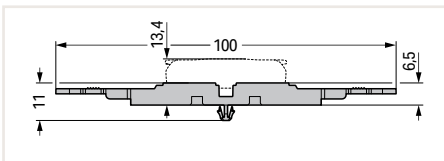
Marking strip; as DIN A4 sheet; 5 mm high; 182 mm long; plain; self-adhesive



white	210-334	100
-------	---------	-----



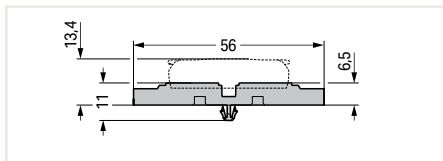
Dimensions in mm



Mounting carrier with strain relief; for inline splicing connector with levers; with snap-in mounting foot; gray

	Item No.	Pack. Unit
○ 1x	221-2511	25 (5)
○ 2x	221-2512	25 (5)
○ 3x	221-2513	25 (5)
○ 4x	221-2514	25 (5)
○ 5x	221-2515	25 (5)

Dimensions in mm



Mounting carrier; for inline splicing connector with levers; with snap-in mounting foot; gray

	Item No.	Pack. Unit
○ 1x	221-2531	25 (5)
○ 2x	221-2532	25 (5)
○ 3x	221-2533	25 (5)
○ 4x	221-2534	25 (5)
○ 5x	221-2535	25 (5)

### Accessories; 221 Series

Appropriate marking system: Marking strips

Mounting foot; snaps onto terminal blocks with snap-in mounting foot; for DIN-35 rail; 6.4 mm wide

gray	209-120	25
------	---------	----



Mounting foot with screw; can be screwed on terminal blocks with mounting flange; for DIN-35 rail; 6.4 mm wide

gray	209-123	25
------	---------	----

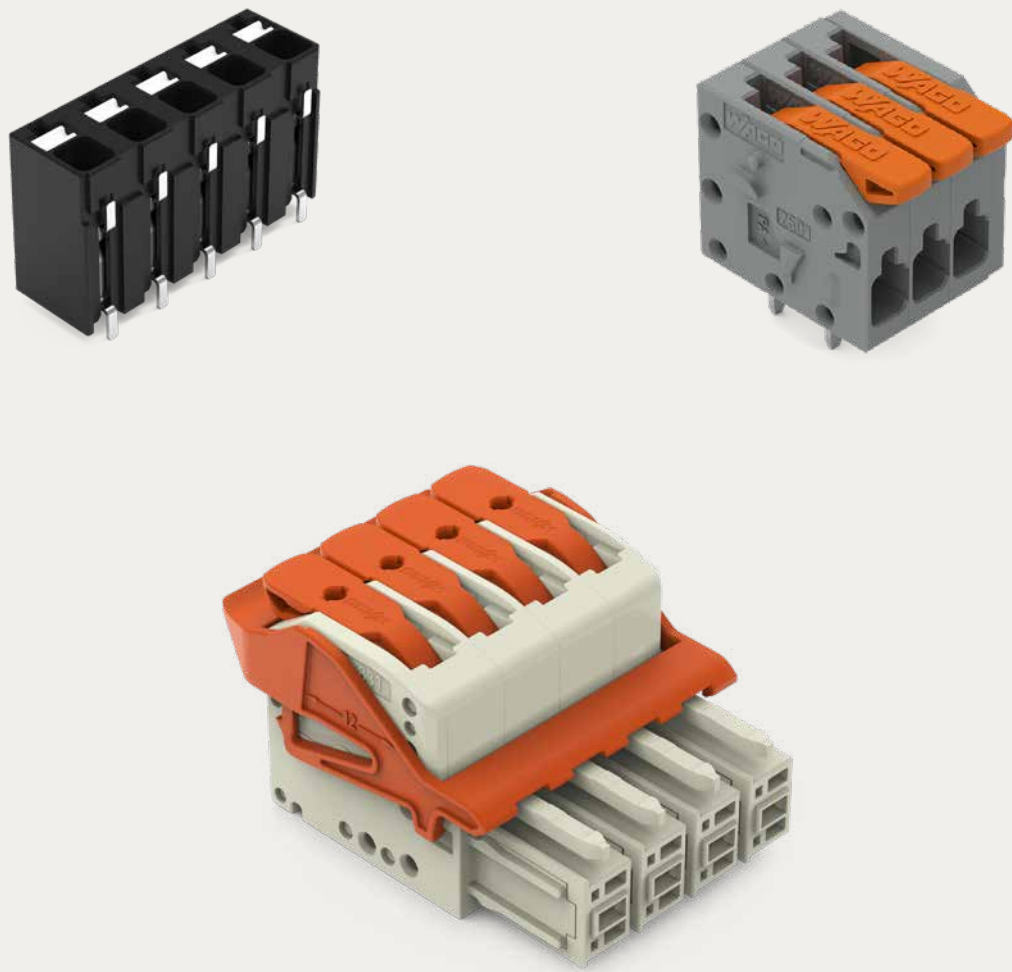


Mounting screw; for mounting foot (209-120)

209-119	500 (50)
---------	----------








Mounting foot; snaps onto terminal blocks with snap-in mounting foot; for DIN-15 rail; 6.4 mm wide

gray	209-1115	25
------	----------	----



## Volume 2, WAGO PCB Terminal Blocks and Connectors

## Volume 2, WAGO PCB Terminal Blocks and Connectors

		Nominal Cross-Section	Series	Page
	THR PCB Terminal Blocks ▶ Actuation type: Push-button ▶ Push-in CAGE CLAMP®	1,5 mm <sup>2</sup>	2086	43
	SMD PCB Terminal Blocks ▶ Actuation type: Push-button ▶ Push-in CAGE CLAMP®	1,5 mm <sup>2</sup>	2086	59
	PCB Terminal Blocks ▶ Actuation type: Lever ▶ Push-in CAGE CLAMP®	1,5 mm <sup>2</sup>	2601	63
	1-Conductor Female Connectors ▶ MCS MINI ▶ Actuation type: Lever ▶ Push-in CAGE CLAMP®	1,5 mm <sup>2</sup>	2734	65
	1-Conductor Female Connectors ▶ MCS MAXI 6 ▶ Actuation type: Lever ▶ Locking of plug-in connection: frontal locking lever lateral locking lever central locking lever	6 mm <sup>2</sup> 6 mm <sup>2</sup> 6 mm <sup>2</sup>	831 831 831	67 67 67
	THR Solder Pin Strips ▶ <i>picoMAX</i> ® 3.5 THR Solder Pin Strips ▶ <i>picoMAX</i> ® 5.0 THR Solder Pin Strips ▶ <i>picoMAX</i> ® 7.5		2091 2092 2092	69 71 73
	THR Solder Pin Strips ▶ <i>picoMAX</i> ® 3.5 THR Solder Pin Strips ▶ <i>picoMAX</i> ® 5.0 THR Solder Pin Strips ▶ <i>picoMAX</i> ® 7.5		2091 2092 2092	75 76 79

**THR PCB terminal block ▶ 2086 Series**

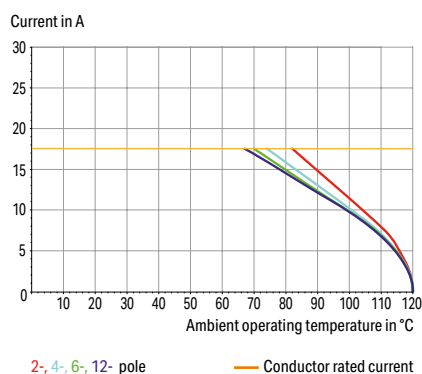
Push-in CAGE CLAMP® ▶ Actuation type: Push-button ▶ 1.5 mm<sup>2</sup> ▶ Pin spacing: 3.5 mm / 0.138 inch ▶ Solder pin arrangement: over the entire terminal strip (in-line) ▶ Color: black



- Ideal for compact device connection, panel feedthrough and tight spaces
- Push-in CAGE CLAMP® allows push-in termination of solid and fine-stranded conductors with ferrules from 0.2 to 1.5 mm<sup>2</sup>
- SMD and THR variants available
- Delivery in tape-and-reel packaging for full integration into SMT soldering process
- Push-button moves in direction of conductor connection
- Conductor connection and mating direction both parallel and perpendicular to the PCB
- Choice of double pin spacing or alternating pin spacing, 3.5 and 5 mm pin spacing

**Current-Carrying Capacity Curve**

Pin spacing: 3.5 mm / Conductor cross-section: 1.5 mm<sup>2</sup> "f-st"  
Based on: EN 60512-5-2 / Reduction factor: 1

**Electrical Data**

Pin spacing	3.5 mm / 0.138 inch		
Ratings per	IEC/EN 60664-1		
Overvoltage category	III	III	II
Pollution degree	3	2	2
Nominal voltage	160 V	160 V	320 V
Rated surge voltage	2.5 kV	2.5 kV	2.5 kV
Rated current	17.5 A	17.5 A	17.5 A
Approvals per	UL 1059		
Use group	B	C	D
Rated voltage	300 V	300 V	300 V
Rated current	10 A	10 A	10 A
Approvals per	CSA		
Use group	B	C	D
Rated voltage	300 V	-	300 V
Rated current	10 A	-	10 A

**Connection Data**

Connection technology	Push-in CAGE CLAMP®
Strip length	8 ... 9 mm / 0.31 ... 0.35 inch
Solid conductor	0.14 ... 1.5 mm <sup>2</sup> / 24 ... 16 AWG
Fine-stranded conductor	0.14 ... 1.5 mm <sup>2</sup> / 24 ... 16 AWG
Fine-stranded conductor; with insulated ferrule	0.25 ... 0.75 mm <sup>2</sup>
Fine-stranded conductor; with uninsulated ferrule	0.25 ... 1.5 mm <sup>2</sup>

**Material Data**

Insulation material	Polyphthalamide (PPA GF)
Flammability class per UL94	V0
Clamping spring material	Chrome nickel spring steel (CrNi)
Contact material	Electrolytic copper (E <sub>cu</sub> )
Contact plating	Tin-plated

**Mechanical Data**

Solder pin arrangement	Over the entire terminal strip (in-line)
Solder pin dimensions	0.3 x 0.8 mm
Plated through-hole diameter (THR)	1 <sup>(+0.1)</sup> mm

**Environmental Requirements**

Limit temperature range	-60 ... +105 °C
-------------------------	-----------------

### THR PCB terminal block ▶ 2086 Series

Push-in CAGE CLAMP® ▶ Actuation type: Push-button ▶ 1.5 mm<sup>2</sup> ▶ Pin spacing: 3.5 mm / 0.138 inch ▶ Solder pin arrangement: over the entire terminal strip (in-line) ▶ Color: black

Solder pin length: 1.5 mm ▶ Conductor connection direction to PCB 0°

Solder pin length: 1.5 mm ▶ Conductor connection direction to PCB 90°

Solder pin length: 2.4 mm ▶ Conductor connection direction to PCB 0°



2086-1205/300-000



2086-1105/300-000

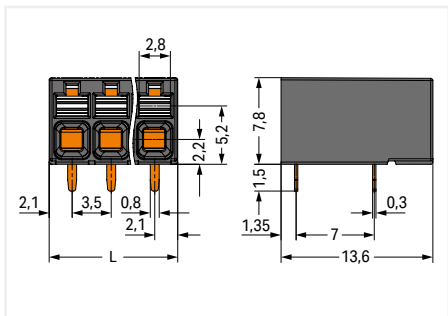


2086-1205

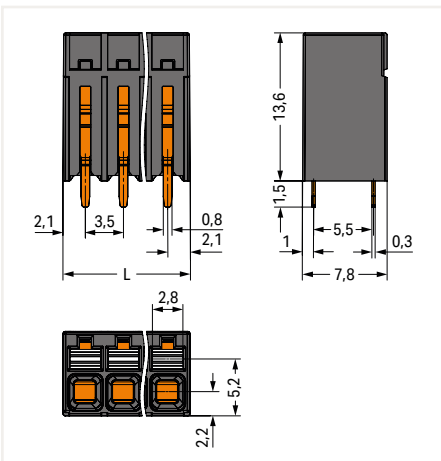
Pole No.	Item number	PU
2	2086-1202/300-000	432
3	2086-1203/300-000	300
4	2086-1204/300-000	228
5	2086-1205/300-000	180
6	2086-1206/300-000	144
7	2086-1207/300-000	132
8	2086-1208/300-000	108
9	2086-1209/300-000	96
10	2086-1210/300-000	84
11	2086-1211/300-000	84
12	2086-1212/300-000	72

Pole No.	Item number	PU
2	2086-1102/300-000	432
3	2086-1103/300-000	300
4	2086-1104/300-000	228
5	2086-1105/300-000	180
6	2086-1106/300-000	144
7	2086-1107/300-000	132
8	2086-1108/300-000	108
9	2086-1109/300-000	96
10	2086-1110/300-000	84
11	2086-1111/300-000	84
12	2086-1112/300-000	72

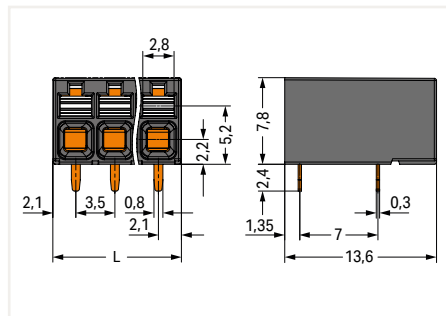
Pole No.	Item number	PU
2	2086-1202	432
3	2086-1203	300
4	2086-1204	228
5	2086-1205	180
6	2086-1206	144
7	2086-1207	132
8	2086-1208	108
9	2086-1209	96
10	2086-1210	84
11	2086-1211	84
12	2086-1212	72



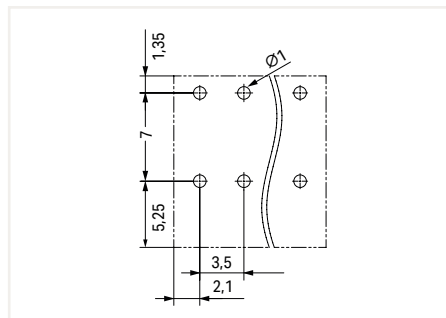
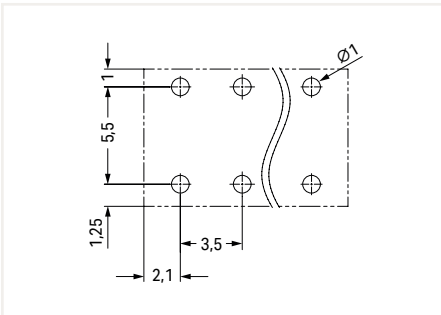
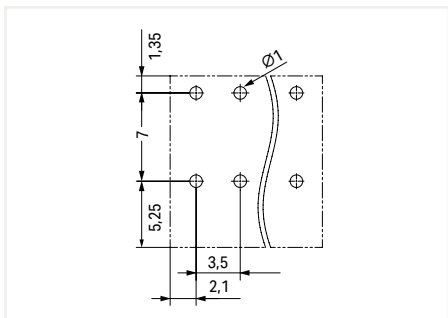
L = (pole no. - 1) x pin spacing + 4.2 mm



L = (pole no. - 1) x pin spacing + 4.2 mm



L = (pole no. - 1) x pin spacing + 4.2 mm



PU = Packaging Unit; SPU = Subpackaging Unit; Dimensions in mm

**THR PCB terminal block ▶ 2086 Series**

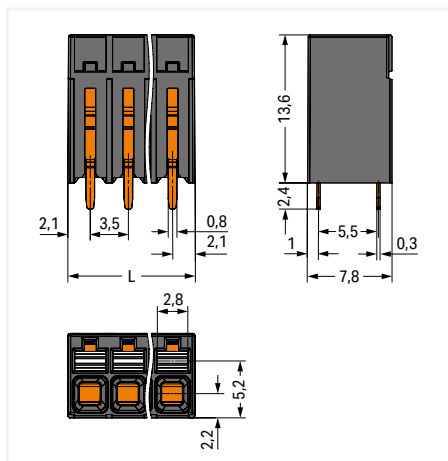
Push-in CAGE CLAMP® ▶ Actuation type: Push-button ▶ 1.5 mm<sup>2</sup> ▶ Pin spacing: 3.5 mm / 0.138 inch ▶ Solder pin arrangement: over the entire terminal strip (in-line) ▶ Color: black

Solder pin length: 2.4 mm ▶ Conductor connection direction to PCB 90°

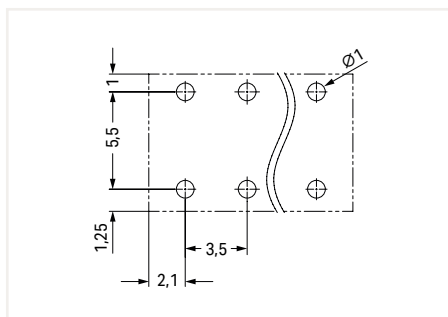


2086-1105

Pole No.	Item number	PU
2	2086-1102	432
3	2086-1103	300
4	2086-1104	228
5	2086-1105	180
6	2086-1106	144
7	2086-1107	132
8	2086-1108	108
9	2086-1109	96
10	2086-1110	84
11	2086-1111	84
12	2086-1112	72



$L = (\text{pole no.} - 1) \times \text{pin spacing} + 4.2 \text{ mm}$



PU = Packaging Unit; SPU = Subpackaging Unit; Dimensions in mm



**THR PCB terminal block ▶ 2086 Series**

Push-in CAGE CLAMP® ▶ Actuation type: Push-button ▶ 1.5 mm<sup>2</sup> ▶ Pin spacing: 3.5 mm / 0.138 inch ▶ Solder pin arrangement: over the entire terminal strip (staggered) ▶ Color: black

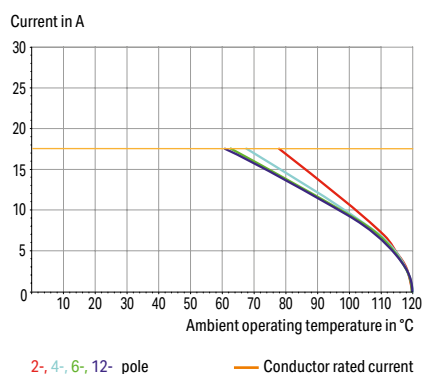
1



- Ideal for compact device connection, panel feedthrough and tight spaces
- Push-in CAGE CLAMP® allows push-in termination of solid and fine-stranded conductors with ferrules from 0.2 to 1.5 mm<sup>2</sup>
- SMD and THR variants available
- Delivery in tape-and-reel packaging for full integration into SMT soldering process
- Push-button moves in direction of conductor connection
- Conductor connection and mating direction both parallel and perpendicular to the PCB
- Choice of double pin spacing or alternating pin spacing, 3.5 and 5 mm pin spacing

**Current-Carrying Capacity Curve**

Pin spacing: 3.5 mm / Conductor cross-section: 1.5 mm<sup>2</sup> \*f-st\*  
Based on: EN 60512-5-2 / Reduction factor: 1

**Electrical Data**

Pin spacing	3.5 mm / 0.138 inch		
Ratings per	IEC/EN 60664-1		
Overvoltage category	III	III	II
Pollution degree	3	2	2
Nominal voltage	250 V	320 V	630 V
Rated surge voltage	4 kV	4 kV	4 kV
Rated current	17.5 A	17.5 A	17.5 A
Approvals per	UL 1059		
Use group	B	C	D
Rated voltage	300 V	300 V	300 V
Rated current	10 A	10 A	10 A
Approvals per	CSA		
Use group	B	C	D
Rated voltage	300 V	-	300 V
Rated current	10 A	-	10 A

**Connection Data**

Connection technology	Push-in CAGE CLAMP®
Strip length	8 ... 9 mm / 0.31 ... 0.35 inch
Solid conductor	0.14 ... 1.5 mm <sup>2</sup> / 24 ... 16 AWG
Fine-stranded conductor	0.14 ... 1.5 mm <sup>2</sup> / 24 ... 16 AWG
Fine-stranded conductor; with insulated ferrule	0.25 ... 0.75 mm <sup>2</sup>
Fine-stranded conductor; with uninsulated ferrule	0.25 ... 1.5 mm <sup>2</sup>

**Material Data**

Insulation material	Polyphthalamide (PPA GF)
Flammability class per UL94	V0
Clamping spring material	Chrome nickel spring steel (CrNi)
Contact material	Electrolytic copper (E <sub>cu</sub> )
Contact plating	Tin-plated

**Mechanical Data**

Solder pin arrangement	Over the entire terminal strip (staggered)
Solder pin dimensions	0.3 x 0.8 mm
Plated through-hole diameter (THR)	1 <sup>(+0.1)</sup> mm

**Environmental Requirements**

Limit temperature range	-60 ... +105 °C
-------------------------	-----------------



### THR PCB terminal block ▶ 2086 Series

Push-in CAGE CLAMP® ▶ Actuation type: Push-button ▶ 1.5 mm<sup>2</sup> ▶ Pin spacing: 3.5 mm / 0.138 inch ▶ Solder pin arrangement: over the entire terminal strip (staggered) ▶ Color: black

Solder pin length: 1.5 mm ▶ Conductor connection direction to PCB 0°

Solder pin length: 1.5 mm ▶ Conductor connection direction to PCB 90°

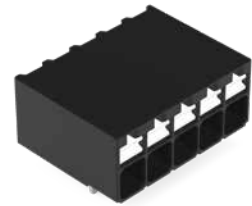
Solder pin length: 2.4 mm ▶ Conductor connection direction to PCB 0°



2086-1225/300-000



2086-1125/300-000

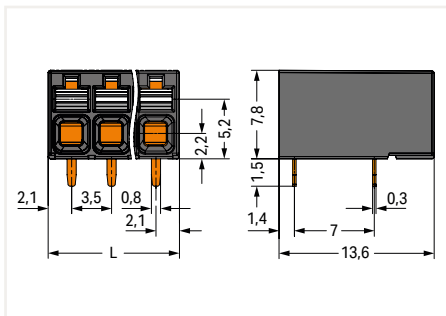


2086-1225

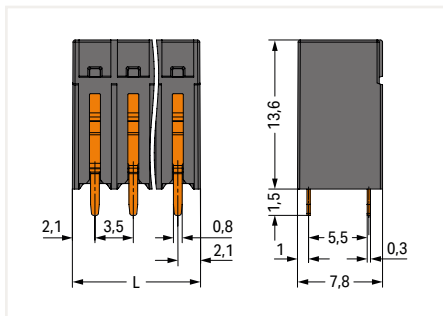
Pole No.	Item number	PU
2	2086-1222/300-000	432
3	2086-1223/300-000	300
4	2086-1224/300-000	228
5	2086-1225/300-000	180
6	2086-1226/300-000	144
7	2086-1227/300-000	132
8	2086-1228/300-000	108
9	2086-1229/300-000	96
10	2086-1230/300-000	84
11	2086-1231/300-000	84
12	2086-1232/300-000	72

Pole No.	Item number	PU
2	2086-1122/300-000	432
3	2086-1123/300-000	300
4	2086-1124/300-000	228
5	2086-1125/300-000	180
6	2086-1126/300-000	144
7	2086-1127/300-000	132
8	2086-1128/300-000	108
9	2086-1129/300-000	96
10	2086-1130/300-000	84
11	2086-1131/300-000	84
12	2086-1132/300-000	72

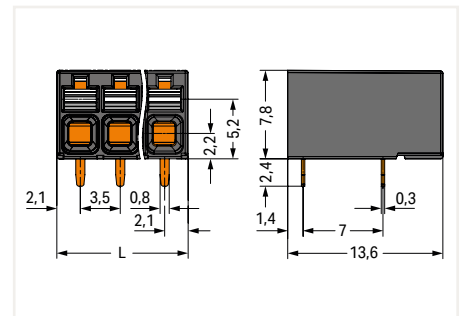
Pole No.	Item number	PU
2	2086-1222	432
3	2086-1223	300
4	2086-1224	228
5	2086-1225	180
6	2086-1226	144
7	2086-1227	132
8	2086-1228	108
9	2086-1229	96
10	2086-1230	84
11	2086-1231	84
12	2086-1232	72



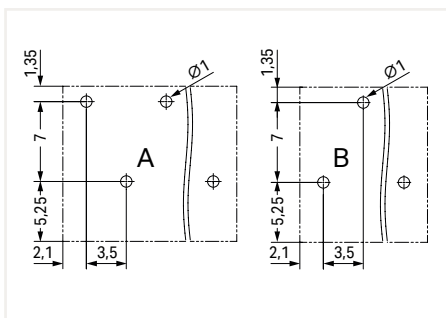
$L = (\text{pole no.} - 1) \times \text{pin spacing} + 4.2 \text{ mm}$



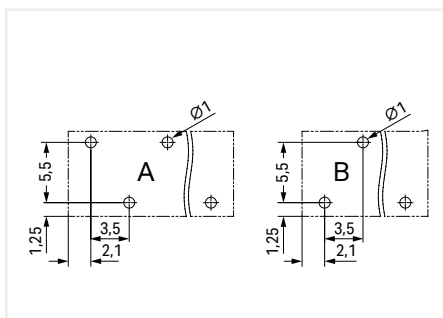
$L = (\text{pole no.} - 1) \times \text{pin spacing} + 4.2 \text{ mm}$



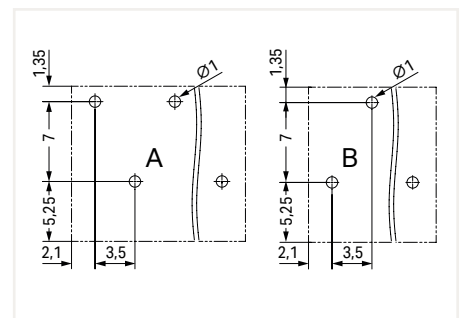
$L = (\text{pole no.} - 1) \times \text{pin spacing} + 4.2 \text{ mm}$



A = even number of poles  
B = odd number of poles



A = even number of poles  
B = odd number of poles



A = even number of poles  
B = odd number of poles

PU = Packaging Unit; SPU = Subpackaging Unit; Dimensions in mm

**THR PCB terminal block ▶ 2086 Series**

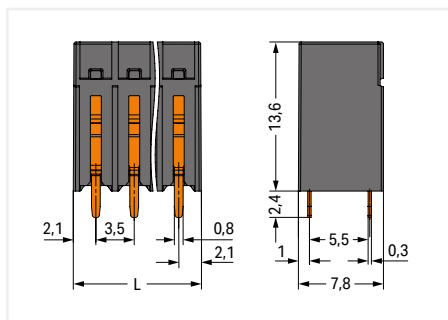
Push-in CAGE CLAMP® ▶ Actuation type: Push-button ▶ 1.5 mm<sup>2</sup> ▶ Pin spacing: 3.5 mm / 0.138 inch ▶ Solder pin arrangement: over the entire terminal strip (staggered) ▶ Color: black

Solder pin length: 2.4 mm ▶ Conductor connection direction to PCB 90°

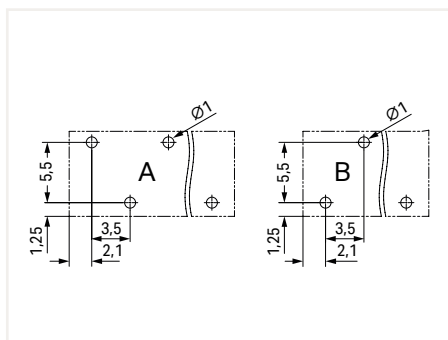


2086-1125

Pole No.	Item number	PU
2	2086-1122	432
3	2086-1123	300
4	2086-1124	228
5	2086-1125	180
6	2086-1126	144
7	2086-1127	132
8	2086-1128	108
9	2086-1129	96
10	2086-1130	84
11	2086-1131	84
12	2086-1132	72



$L = (\text{pole no.} - 1) \times \text{pin spacing} + 4.2 \text{ mm}$



A = even number of poles

B = odd number of poles

PU = Packaging Unit; SPU = Subpackaging Unit; Dimensions in mm



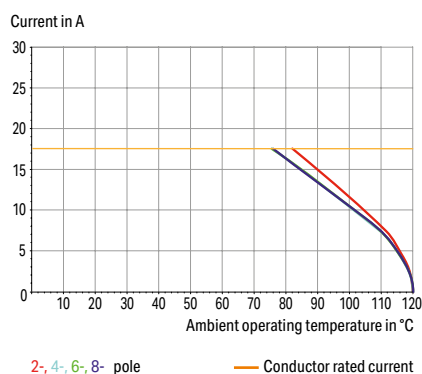
**THR PCB terminal block ▶ 2086 Series**Push-in CAGE CLAMP® ▶ Actuation type: Push-button ▶ 1.5 mm<sup>2</sup> ▶ Pin spacing: 5 mm / 0.197 inch

▶ Solder pin arrangement: over the entire terminal strip (in-line) ▶ Color: black

1



- Ideal for compact device connection, panel feedthrough and tight spaces
- Push-in CAGE CLAMP® allows push-in termination of solid and fine-stranded conductors with ferrules from 0.2 to 1.5 mm<sup>2</sup>
- SMD and THR variants available
- Delivery in tape-and-reel packaging for full integration into SMT soldering process
- Push-button moves in direction of conductor connection
- Conductor connection and mating direction both parallel and perpendicular to the PCB
- Choice of double pin spacing or alternating pin spacing, 3.5 and 5 mm pin spacing

**Current-Carrying Capacity Curve**Pin spacing: 5 mm / Conductor cross-section: 1.5 mm<sup>2</sup> "f-st"  
Based on: EN 60512-5-2 / Reduction factor: 1**Electrical Data**

Pin spacing	5 mm / 0.197 inch		
Ratings per	IEC/EN 60664-1		
Overvoltage category	III	III	II
Pollution degree	3	2	2
Nominal voltage	320 V	320 V	630 V
Rated surge voltage	4 kV	4 kV	4 kV
Rated current	17.5 A	17.5 A	17.5 A
Approvals per	UL 1059		
Use group	B	C	D
Rated voltage	300 V	300 V	300 V
Rated current	10 A	10 A	10 A
Approvals per	CSA		
Use group	B	C	D
Rated voltage	300 V	-	300 V
Rated current	10 A	-	10 A

**Connection Data**

Connection technology	Push-in CAGE CLAMP®
Strip length	8 ... 9 mm / 0.31 ... 0.35 inch
Solid conductor	0.14 ... 1.5 mm <sup>2</sup> / 24 ... 16 AWG
Fine-stranded conductor	0.14 ... 1.5 mm <sup>2</sup> / 24 ... 16 AWG
Fine-stranded conductor; with insulated ferrule	0.25 ... 0.75 mm <sup>2</sup>
Fine-stranded conductor; with uninsulated ferrule	0.25 ... 1.5 mm <sup>2</sup>

**Material Data**

Insulation material	Polyphthalamide (PPA GF)
Flammability class per UL94	V0
Clamping spring material	Chrome nickel spring steel (CrNi)
Contact material	Electrolytic copper (E <sub>cu</sub> )
Contact plating	Tin-plated

**Mechanical Data**

Solder pin arrangement	Over the entire terminal strip (in-line)
Solder pin dimensions	0.3 x 0.8 mm
Plated through-hole diameter (THR)	1 <sup>(+0.1)</sup> mm

**Environmental Requirements**

Limit temperature range	-60 ... +105 °C
-------------------------	-----------------

### THR PCB terminal block ▶ 2086 Series

Push-in CAGE CLAMP® ▶ Actuation type: Push-button ▶ 1.5 mm<sup>2</sup> ▶ Pin spacing: 5 mm / 0.197 inch  
 ▶ Solder pin arrangement: over the entire terminal strip (in-line) ▶ Color: black

Solder pin length: 1.5 mm ▶ Conductor connection direction to PCB 0°

Solder pin length: 1.5 mm ▶ Conductor connection direction to PCB 90°

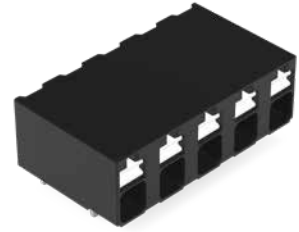
Solder pin length: 2.4 mm ▶ Conductor connection direction to PCB 0°



2086-3205/300-000



2086-3105/300-000

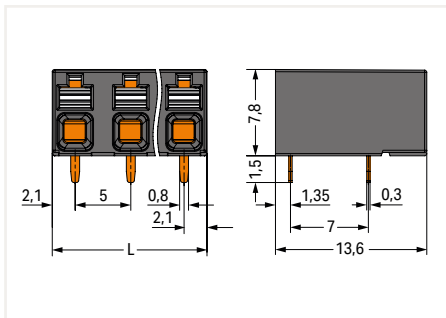


2086-3205

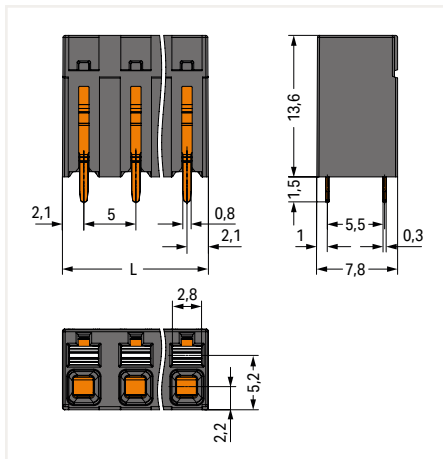
Pole No.	Item number	PU
2	2086-3202/300-000	360
3	2086-3203/300-000	228
4	2086-3204/300-000	168
5	2086-3205/300-000	132
6	2086-3206/300-000	108
7	2086-3207/300-000	96
8	2086-3208/300-000	84

Pole No.	Item number	PU
2	2086-3102/300-000	360
3	2086-3103/300-000	228
4	2086-3104/300-000	168
5	2086-3105/300-000	132
6	2086-3106/300-000	108
7	2086-3107/300-000	96
8	2086-3108/300-000	84

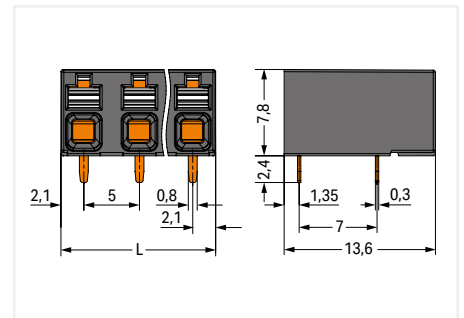
Pole No.	Item number	PU
2	2086-3202	360
3	2086-3203	228
4	2086-3204	168
5	2086-3205	132
6	2086-3206	108
7	2086-3207	96
8	2086-3208	84



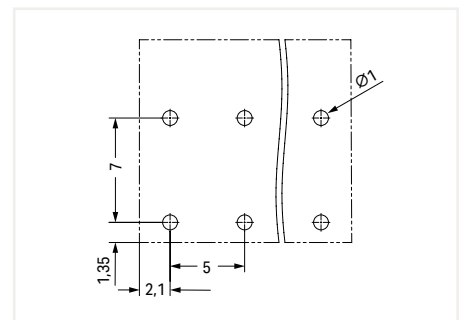
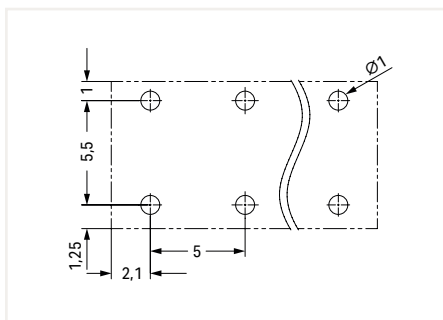
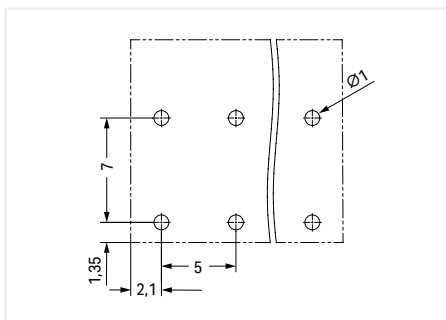
$L = (\text{pole no.} - 1) \times \text{pin spacing} + 4.2 \text{ mm}$



$L = (\text{pole no.} - 1) \times \text{pin spacing} + 4.2 \text{ mm}$



$L = (\text{pole no.} - 1) \times \text{pin spacing} + 4.2 \text{ mm}$



PU = Packaging Unit; SPU = Subpackaging Unit; Dimensions in mm

**THR PCB terminal block ▶ 2086 Series**Push-in CAGE CLAMP® ▶ Actuation type: Push-button ▶ 1.5 mm<sup>2</sup> ▶ Pin spacing: 5 mm / 0.197 inch

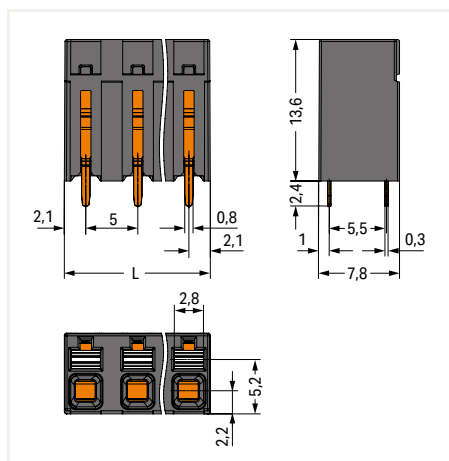
▶ Solder pin arrangement: over the entire terminal strip (in-line) ▶ Color: black

Solder pin length: 2.4 mm ▶ Conductor connection direction to PCB 90°

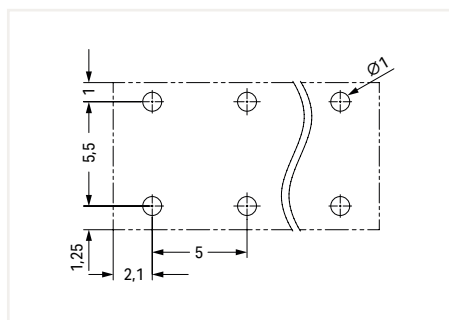


2086-3105

Pole No.	Item number	PU
2	2086-3102	360
3	2086-3103	228
4	2086-3104	168
5	2086-3105	132
6	2086-3106	108
7	2086-3107	96
8	2086-3108	84



L = (pole no. - 1) x pin spacing + 4.2 mm





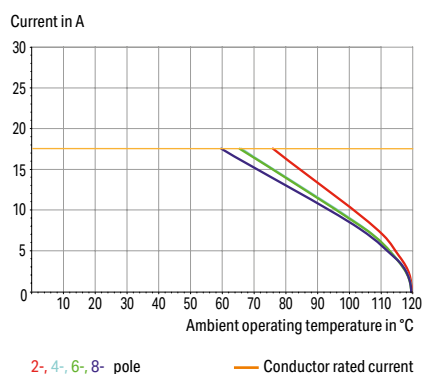
**THR PCB terminal block ▶ 2086 Series**Push-in CAGE CLAMP® ▶ Actuation type: Push-button ▶ 1.5 mm<sup>2</sup> ▶ Pin spacing: 5 mm / 0.197 inch

▶ Solder pin arrangement: over the entire terminal strip (staggered) ▶ Color: black

1



- Ideal for compact device connection, panel feedthrough and tight spaces
- Push-in CAGE CLAMP® allows push-in termination of solid and fine-stranded conductors with ferrules from 0.2 to 1.5 mm<sup>2</sup>
- SMD and THR variants available
- Delivery in tape-and-reel packaging for full integration into SMT soldering process
- Push-button moves in direction of conductor connection
- Conductor connection and mating direction both parallel and perpendicular to the PCB
- Choice of double pin spacing or alternating pin spacing, 3.5 and 5 mm pin spacing

**Current-Carrying Capacity Curve**Pin spacing: 5 mm / Conductor cross-section: 1.5 mm<sup>2</sup> "f-st"  
Based on: EN 60512-5-2 / Reduction factor: 1**Electrical Data**

Pin spacing	5 mm / 0.197 inch		
Ratings per	IEC/EN 60664-1		
Overvoltage category	III	III	II
Pollution degree	3	2	2
Nominal voltage	500 V	630 V	1000 V
Rated surge voltage	6 kV	6 kV	6 kV
Rated current	17.5 A	17.5 A	17.5 A
Approvals per	UL 1059		
Use group	B	C	D
Rated voltage	300 V	300 V	300 V
Rated current	10 A	10 A	10 A
Approvals per	CSA		
Use group	B	C	D
Rated voltage	300 V	-	300 V
Rated current	10 A	-	10 A

**Connection Data**

Connection technology	Push-in CAGE CLAMP®
Strip length	8 ... 9 mm / 0.31 ... 0.35 inch
Solid conductor	0.14 ... 1.5 mm <sup>2</sup> / 24 ... 16 AWG
Fine-stranded conductor	0.14 ... 1.5 mm <sup>2</sup> / 24 ... 16 AWG
Fine-stranded conductor; with insulated ferrule	0.25 ... 0.75 mm <sup>2</sup>
Fine-stranded conductor; with uninsulated ferrule	0.25 ... 1.5 mm <sup>2</sup>

**Material Data**

Insulation material	Polyphthalamide (PPA GF)
Flammability class per UL94	V0
Clamping spring material	Chrome nickel spring steel (CrNi)
Contact material	Electrolytic copper (E <sub>cu</sub> )
Contact plating	Tin-plated

**Mechanical Data**

Solder pin arrangement	Over the entire terminal strip (staggered)
Solder pin dimensions	0.3 x 0.8 mm
Plated through-hole diameter (THR)	1 <sup>(+0.1)</sup> mm

**Environmental Requirements**

Limit temperature range	-60 ... +105 °C
-------------------------	-----------------



### THR PCB terminal block ▶ 2086 Series

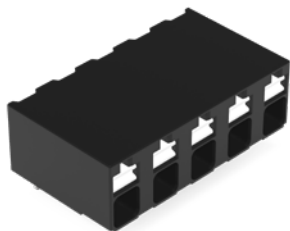
Push-in CAGE CLAMP® ▶ Actuation type: Push-button ▶ 1.5 mm<sup>2</sup> ▶ Pin spacing: 5 mm / 0.197 inch

▶ Solder pin arrangement: over the entire terminal strip (staggered) ▶ Color: black

Solder pin length: 1.5 mm ▶ Conductor connection direction to PCB 0°

Solder pin length: 1.5 mm ▶ Conductor connection direction to PCB 90°

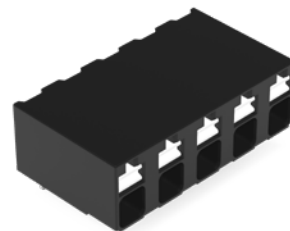
Solder pin length: 2.4 mm ▶ Conductor connection direction to PCB 0°



2086-3225/300-000



2086-3125/300-000

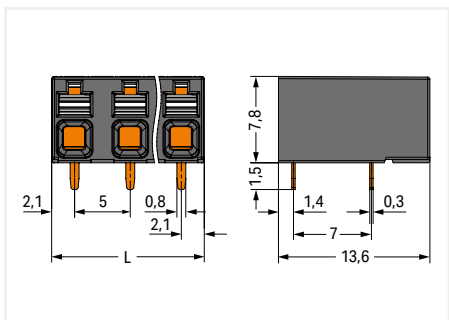


2086-3225

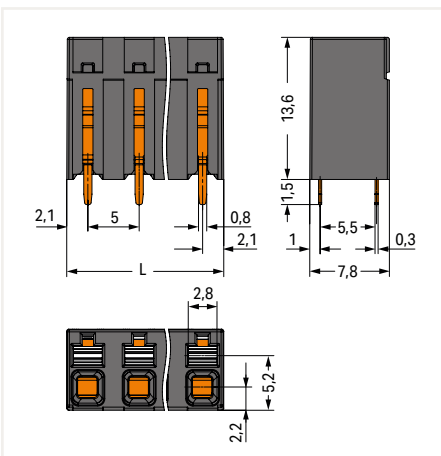
Pole No.	Item number	PU
2	2086-3222/300-000	360
3	2086-3223/300-000	228
4	2086-3224/300-000	168
5	2086-3225/300-000	132
6	2086-3226/300-000	108
7	2086-3227/300-000	96
8	2086-3228/300-000	84

Pole No.	Item number	PU
2	2086-3122/300-000	360
3	2086-3123/300-000	228
4	2086-3124/300-000	168
5	2086-3125/300-000	132
6	2086-3126/300-000	108
7	2086-3127/300-000	96
8	2086-3128/300-000	84

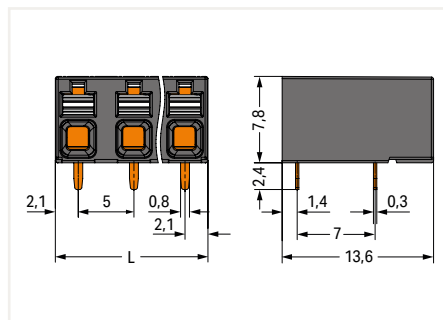
Pole No.	Item number	PU
2	2086-3222	360
3	2086-3223	228
4	2086-3224	168
5	2086-3225	132
6	2086-3226	108
7	2086-3227	96
8	2086-3228	84



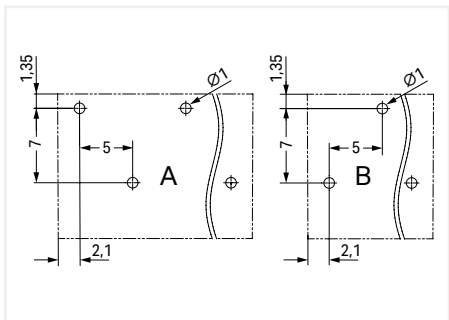
$L = (\text{pole no.} - 1) \times \text{pin spacing} + 4.2 \text{ mm}$



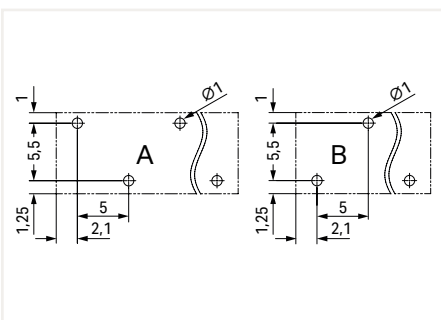
$L = (\text{pole no.} - 1) \times \text{pin spacing} + 4.2 \text{ mm}$



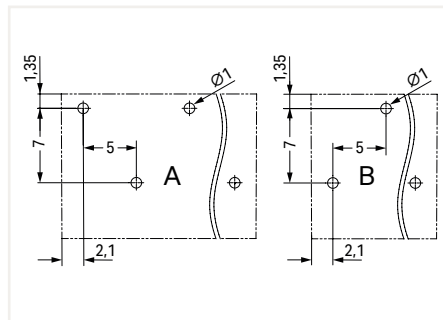
$L = (\text{pole no.} - 1) \times \text{pin spacing} + 4.2 \text{ mm}$



A = even number of poles  
B = odd number of poles



A = even number of poles  
B = odd number of poles



A = even number of poles  
B = odd number of poles

### THR PCB terminal block ▶ 2086 Series

Push-in CAGE CLAMP® ▶ Actuation type: Push-button ▶ 1.5 mm<sup>2</sup> ▶ Pin spacing: 5 mm / 0.197 inch

▶ Solder pin arrangement: over the entire terminal strip (staggered) ▶ Color: black

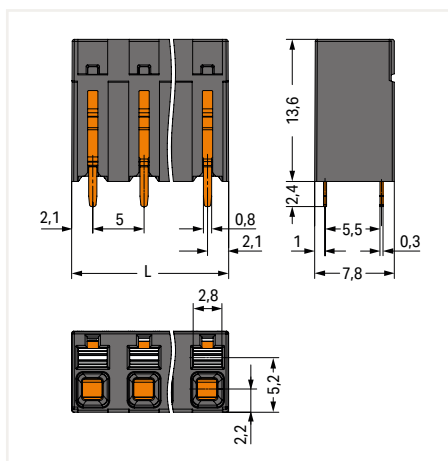
Solder pin length: 2.4 mm ▶ Conductor connection direction to PCB 90°

1

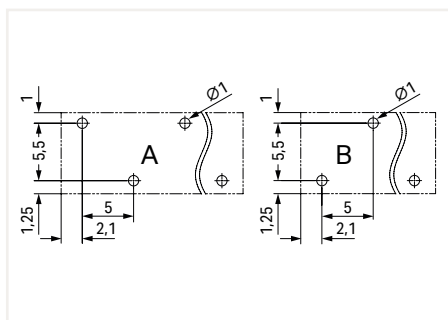


2086-3125

Pole No.	Item number	PU
2	2086-3122	360
3	2086-3123	228
4	2086-3124	168
5	2086-3125	132
6	2086-3126	108
7	2086-3127	96
8	2086-3128	84



$L = (\text{pole no.} - 1) \times \text{pin spacing} + 4.2 \text{ mm}$



A = even number of poles  
B = odd number of poles

PU = Packaging Unit; SPU = Subpackaging Unit; Dimensions in mm



**SMD PCB terminal block ▶ 2086 Series**

Push-in CAGE CLAMP® ▶ Actuation type: Push-button ▶ 1.5 mm<sup>2</sup> ▶ Pin spacing: 3.5 mm / 0.138 inch ▶ Suitable for automated assembly ▶ Color: black

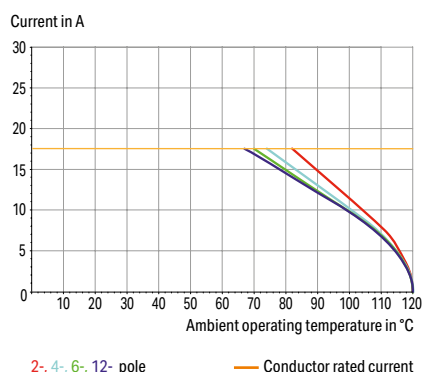
1



- Ideal for compact device connection, panel feedthrough and tight spaces
- Push-in CAGE CLAMP® allows push-in termination of solid and fine-stranded conductors with ferrules from 0.2 to 1.5 mm<sup>2</sup>
- SMD and THR variants available
- Delivery in tape-and-reel packaging for full integration into SMT soldering process
- Push-button moves in direction of conductor connection
- Conductor connection and mating direction both parallel and perpendicular to the PCB

**Current-Carrying Capacity Curve**

Pin spacing: 3.5 mm / Conductor cross-section: 1.5 mm<sup>2</sup> "f-st"  
Based on: EN 60512-5-2 / Reduction factor: 1

**Electrical Data**

Ratings per	IEC/EN 60664-1		
Overtoltage category	III	III	II
Pollution degree	3	2	2
Nominal voltage	160 V	160 V	320 V
Rated surge voltage	2.5 kV	2.5 kV	2.5 kV
Rated current	17.5 A	17.5 A	17.5 A
Approvals per	UL 1059		
Use group	B	C	D
Rated voltage	300 V	300 V	300 V
Rated current	10 A	10 A	10 A
Approvals per	CSA		
Use group	B	C	D
Rated voltage	300 V	-	300 V
Rated current	10 A	-	10 A

**Connection Data**

Connection technology	Push-in CAGE CLAMP®
Strip length	8 ... 9 mm / 0.31 ... 0.35 inch
Solid conductor	0.14 ... 1.5 mm <sup>2</sup> / 24 ... 16 AWG
Fine-stranded conductor	0.14 ... 1.5 mm <sup>2</sup> / 24 ... 16 AWG
Fine-stranded conductor; with insulated ferrule	0.25 ... 0.75 mm <sup>2</sup>
Fine-stranded conductor; with uninsulated ferrule	0.25 ... 1.5 mm <sup>2</sup>

**Material Data**

Insulation material	Polyphthalamide (PPA GF)
Clamping spring material	Chrome nickel spring steel (CrNi)
Contact material	Electrolytic copper (E <sub>cu</sub> )
Contact plating	Tin-plated

**Mechanical Data**

Solder pin arrangement	Over the entire terminal strip (in-line)
Reel diameter of tape-and-reel packaging	380 mm

**Environmental Requirements**

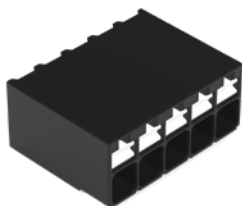
Limit temperature range	-60 ... +105 °C
-------------------------	-----------------

### SMD PCB terminal block ▶ 2086 Series

Push-in CAGE CLAMP® ▶ Actuation type: Push-button ▶ 1.5 mm<sup>2</sup> ▶ Pin spacing: 3.5 mm / 0.138 inch ▶ Suitable for automated assembly ▶ Color: black

Conductor connection direction to PCB 0°

Conductor connection direction to PCB 90°



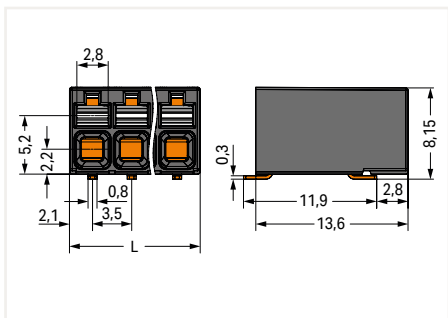
2086-1205/700-000



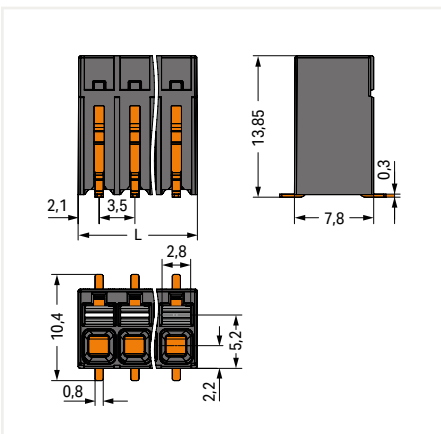
2086-1105/700-000

Pole No.	Tape width	Item number	PU
2	24 mm	2086-1202/700-000/997-604	515
3	32 mm	2086-1203/700-000/997-605	515
4	32 mm	2086-1204/700-000/997-605	515
5	32 mm	2086-1205/700-000/997-605	515
6	56 mm	2086-1206/700-000/997-607	515
7	56 mm	2086-1207/700-000/997-607	515
8	56 mm	2086-1208/700-000/997-607	515
9	56 mm	2086-1209/700-000/997-607	515
10	56 mm	2086-1210/700-000/997-607	515
11	56 mm	2086-1211/700-000/997-607	515
12	56 mm	2086-1212/700-000/997-607	515

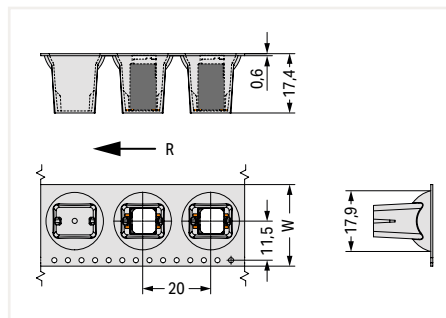
Pole No.	Tape width	Item number	PU
2	24 mm	2086-1102/700-000/997-604	270
3	32 mm	2086-1103/700-000/997-605	270
4	32 mm	2086-1104/700-000/997-605	270
5	32 mm	2086-1105/700-000/997-605	270
6	56 mm	2086-1106/700-000/997-607	270
7	56 mm	2086-1107/700-000/997-607	270
8	56 mm	2086-1108/700-000/997-607	270
9	56 mm	2086-1109/700-000/997-607	270
10	56 mm	2086-1110/700-000/997-607	270
11	56 mm	2086-1111/700-000/997-607	270
12	56 mm	2086-1112/700-000/997-607	270



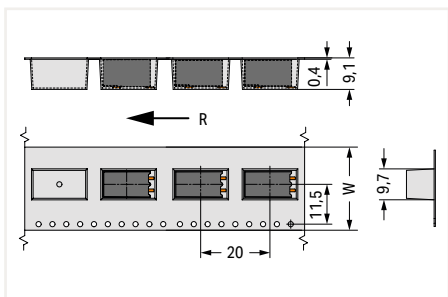
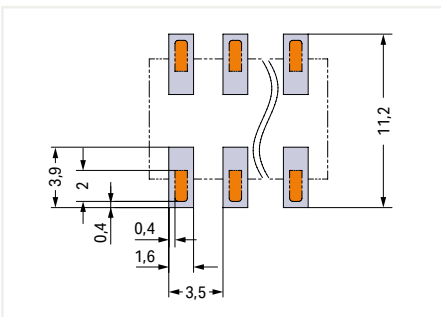
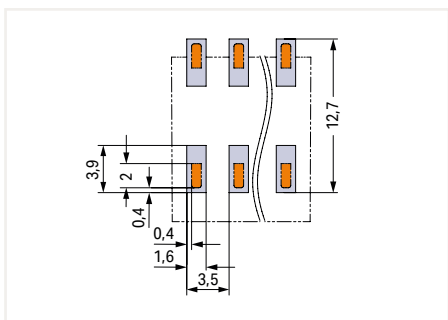
$L = (\text{pole no.} - 1) \times \text{pin spacing} + 4.2 \text{ mm}$



$L = (\text{pole no.} - 1) \times \text{pin spacing} + 4.2 \text{ mm}$



W = Tape width  
R = Feed direction



W = Tape width  
R = Feed direction

PU = Packaging Unit; SPU = Subpackaging Unit; Dimensions in mm

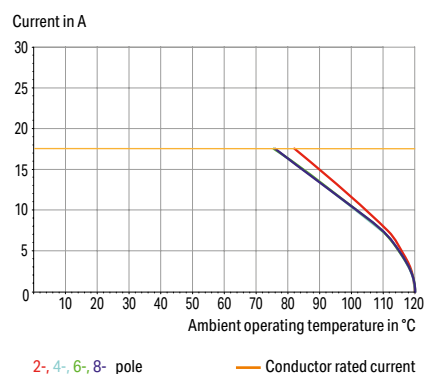
**SMD PCB terminal block ▶ 2086 Series**Push-in CAGE CLAMP® ▶ Actuation type: Push-button ▶ 1.5 mm<sup>2</sup> ▶ Pin spacing: 5 mm / 0.197 inch

▶ Suitable for automated assembly ▶ Color: black

1



- Ideal for compact device connection, panel feedthrough and tight spaces
- Push-in CAGE CLAMP® allows push-in termination of solid and fine-stranded conductors with ferrules from 0.2 to 1.5 mm<sup>2</sup>
- SMD and THR variants available
- Delivery in tape-and-reel packaging for full integration into SMT soldering process
- Push-button moves in direction of conductor connection
- Conductor connection and mating direction both parallel and perpendicular to the PCB

**Current-Carrying Capacity Curve**Pin spacing: 5 mm / Conductor cross-section: 1.5 mm<sup>2</sup> "f-st"  
Based on: EN 60512-5-2 / Reduction factor: 1**Electrical Data**

Ratings per	IEC/EN 60664-1		
Overtoltage category	III	III	II
Pollution degree	3	2	2
Nominal voltage	320 V	320 V	630 V
Rated surge voltage	4 kV	4 kV	4 kV
Rated current	17.5 A	17.5 A	17.5 A
Approvals per	UL 1059		
Use group	B	C	D
Rated voltage	300 V	300 V	300 V
Rated current	10 A	10 A	10 A
Approvals per	CSA		
Use group	B	C	D
Rated voltage	300 V	-	300 V
Rated current	10 A	-	10 A

**Connection Data**

Connection technology	Push-in CAGE CLAMP®
Strip length	8 ... 9 mm / 0.31 ... 0.35 inch
Solid conductor	0.14 ... 1.5 mm <sup>2</sup> / 24 ... 16 AWG
Fine-stranded conductor	0.14 ... 1.5 mm <sup>2</sup> / 24 ... 16 AWG
Fine-stranded conductor; with insulated ferrule	0.25 ... 0.75 mm <sup>2</sup>
Fine-stranded conductor; with uninsulated ferrule	0.25 ... 1.5 mm <sup>2</sup>

**Material Data**

Insulation material	Polyphthalamide (PPA GF)
Clamping spring material	Chrome nickel spring steel (CrNi)
Contact material	Electrolytic copper (E <sub>cu</sub> )
Contact plating	Tin-plated

**Mechanical Data**

Solder pin arrangement	Over the entire terminal strip (in-line)
Reel diameter of tape-and-reel packaging	380 mm

**Environmental Requirements**

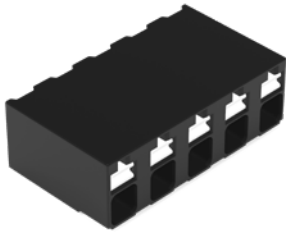
Limit temperature range	-60 ... +105 °C
-------------------------	-----------------

### SMD PCB terminal block ▶ 2086 Series

Push-in CAGE CLAMP® ▶ Actuation type: Push-button ▶ 1.5 mm<sup>2</sup> ▶ Pin spacing: 5 mm / 0.197 inch  
 ▶ Suitable for automated assembly ▶ Color: black

Conductor connection direction to PCB 0°

Conductor connection direction to PCB 90°



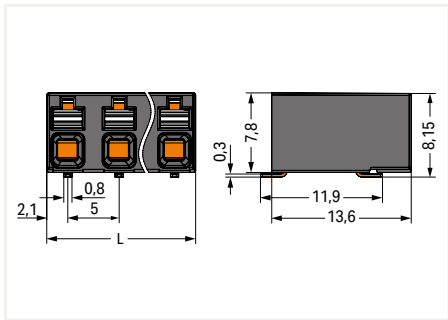
2086-3205/700-000



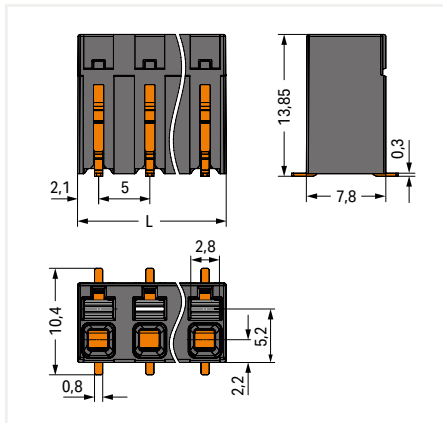
2086-3105/700-000

Pole No.	Tape width	Item number	PU
2	24 mm	2086-3202/700-000/997-604	515
3	32 mm	2086-3203/700-000/997-605	515
4	32 mm	2086-3204/700-000/997-605	515
5	56 mm	2086-3205/700-000/997-607	515
6	56 mm	2086-3206/700-000/997-607	515
7	56 mm	2086-3207/700-000/997-607	515
8	56 mm	2086-3208/700-000/997-607	515

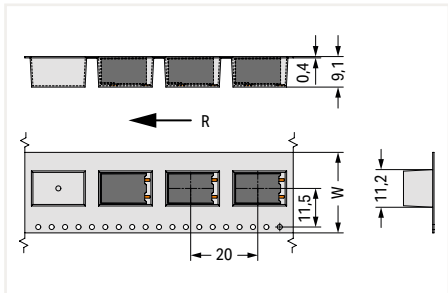
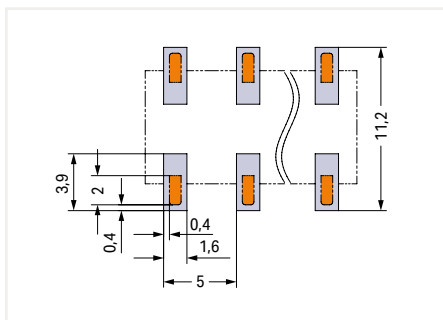
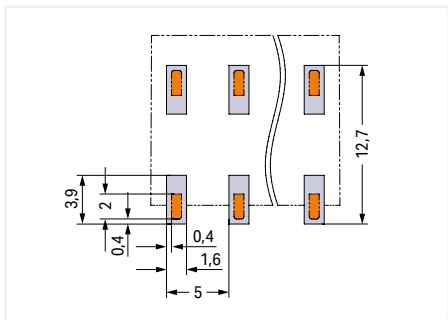
Pole No.	Tape width	Item number	PU
2	24 mm	2086-3102/700-000/997-604	270
3	32 mm	2086-3103/700-000/997-605	270
4	32 mm	2086-3104/700-000/997-605	270
5	56 mm	2086-3105/700-000/997-607	270
6	56 mm	2086-3106/700-000/997-607	270
7	56 mm	2086-3107/700-000/997-607	270
8	56 mm	2086-3108/700-000/997-607	270



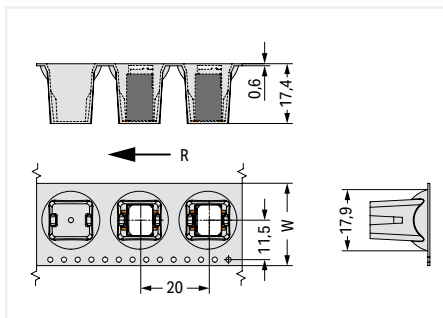
$L = (\text{pole no.} - 1) \times \text{pin spacing} + 4.2 \text{ mm}$



$L = (\text{pole no.} - 1) \times \text{pin spacing} + 4.2 \text{ mm}$



W = Tape width  
 R = Feed direction



W = Tape width  
 R = Feed direction

PU = Packaging Unit; SPU = Subpackaging Unit; Dimensions in mm

**PCB terminal block ▶ 2601 Series**Push-in CAGE CLAMP® ▶ Actuation type: Lever ▶ 1.5 mm<sup>2</sup> ▶ Pin spacing: 3.5 mm / 0.138 inch ▶

Color: gray

1



- PCB terminal blocks with levers and Push-in CAGE CLAMP® connection
- Push-in termination of solid and ferruled conductors
- Intuitive and tool-free operation
- Several clamping units can be held open simultaneously – convenient for terminating multi-core cables
- Testing can be performed both parallel and perpendicular to conductor entry

Electrical Data			
Pin spacing	3.5 mm / 0.138 inch		
Ratings per	IEC/EN 60664-1		
Overvoltage category	III	III	II
Pollution degree	3	2	2
Nominal voltage	160 V	160 V	320 V
Rated surge voltage	2,5 kV	2,5 kV	2,5 kV
Rated current	17,5 A	17,5 A	17,5 A
Connection Data			
Connection technology	Push-in CAGE CLAMP®		
Strip length	8 ... 9 mm / 0.31 ... 0.35 inch		
Solid conductor	0,14 ... 1,5 mm <sup>2</sup> / 26 ... 16 AWG		
Fine-stranded conductor	0,2 ... 1,5 mm <sup>2</sup> / 24 ... 16 AWG		
Fine-stranded conductor; with insulated ferrule	0.25 ... 0.75 mm <sup>2</sup>		
Fine-stranded conductor; with uninsulated ferrule	0.25 ... 1.5 mm <sup>2</sup>		
Material Data			
Material group	I		
Insulation material	Polyamide (PA66)		
Flammability class per UL94	V0		
Clamping spring material	Chrome nickel spring steel (CrNi)		
Contact material	Electrolytic copper (E <sub>cu</sub> )		
Contact plating	Tin-plated		
Mechanical Data			
Solder pin arrangement	Over the entire terminal strip (in-line)		
Solder pin length	3.6 mm		
Solder pin dimensions	1 x 0.5 mm		
Drilled hole diameter with tolerance	1.2 <sup>(+0.1)</sup> mm		
Environmental Requirements			
Limit temperature range	-60 ... +105 °C		

UL/CSA approval pending

For approvals and corresponding ratings, visit [www.wago.com](http://www.wago.com)



## PCB terminal block ▶ 2601 Series

Push-in CAGE CLAMP® ▶ Actuation type: Lever ▶ 1.5 mm<sup>2</sup> ▶ Pin spacing: 3.5 mm / 0.138 inch ▶ Color: gray

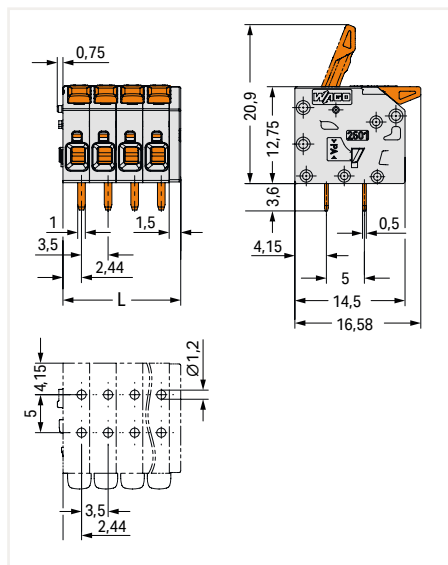
Conductor connection direction to PCB: 0°



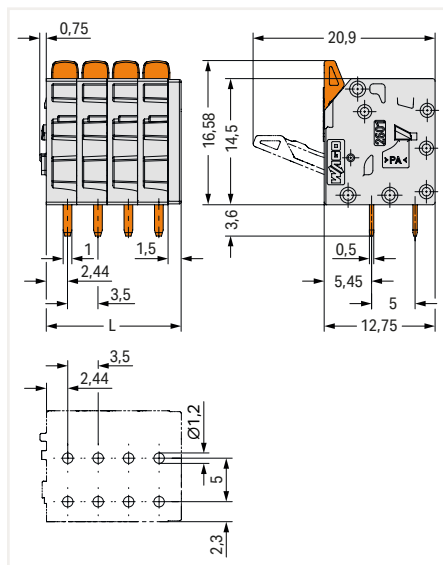
Conductor connection direction to PCB: 90°



Pole No.	Item No.	PU	Pole No.	Item No.	PU
2	2601-1102	120	2	2601-3102	220
3	2601-1103	70	3	2601-3103	160
4	2601-1104	50	4	2601-3104	120
5	2601-1105	40	5	2601-3105	100
6	2601-1106	30	6	2601-3106	80
7	2601-1107	20	7	2601-3107	70
8	2601-1108	20	8	2601-3108	60
9	2601-1109	20	9	2601-3109	60
10	2601-1110	10	10	2601-3110	50
11	2601-1111	10	11	2601-3111	50
12	2601-1112	10	12	2601-3112	40



L = (pole no. - 1) x pin spacing + 5 mm



L = (pole no. - 1) x pin spacing + 5 mm

PU = Packaging Unit; SPU = Subpackaging Unit; Dimensions in mm

Variants:

- Other pole numbers
- Direct marking
- Other colors
- Other versions (or variants) can be requested from WAGO Sales or configured at <https://configurator.wago.com/>

**1-conductor female connector ▶ MCS MINI ▶ 2734 Series**

Pin spacing: 3.5 mm / 0.138 inch ▶ Actuation type: Lever ▶ Push-in CAGE CLAMP® ▶ Conductor entry direction to mating direction: 0° ▶ Color: light gray

1



- Intuitive and tool-free lever actuation
- Universal connection for all conductor types
- Push-in termination of solid or ferruled conductors
- Test slot 90° to conductor entry
- 100% protected against mismatching
- Coding option available

**Electrical Data**

Ratings per		IEC/EN 60664-1		
Overvoltage category		III	III	II
Pollution degree		3	2	2
Nominal voltage		160 V	160 V	320 V
Rated surge voltage		2.5 kV	2.5 kV	2.5 kV
Rated current		10 A	10 A	10 A
Approvals per		UL 1059		
Use group		B	C	D
Rated voltage		300 V	-	300 V
Rated current		10 A	-	10 A
Approvals per		CSA		
Use group		B	C	D
Rated voltage		300 V	-	300 V
Rated current		10 A	-	10 A

**Connection Data**

Connection technology	Push-in CAGE CLAMP®
Strip length	9 ... 10 mm / 0.35 ... 0.39 inch
Solid conductor	0.14 ... 1.5 mm <sup>2</sup> / 26 ... 14 AWG
Solid conductor; push-in termination	0.34 ... 1.5 mm <sup>2</sup> / 22 ... 14 AWG
Fine-stranded conductor	0.14 ... 1.5 mm <sup>2</sup> / 26 ... 14 AWG
Fine-stranded conductor; with insulated ferrule	0.14 ... 0.75 mm <sup>2</sup>
Fine-stranded conductor; with uninsulated ferrule	0.14 ... 1 mm <sup>2</sup>

**Material Data**

Material group	I
Insulation material	Polyamide (PA66)
Flammability class per UL94	V0
Clamping spring material	Chrome nickel spring steel (CrNi)
Contact material	Copper alloy
Contact plating	Tin-plated

**Environmental Requirements**

Limit temperature range	-60 ... +100 °C
-------------------------	-----------------

The MCS – MULTI CONNECTION SYSTEM includes connectors without breaking capacity in accordance with DIN EN 61984. When used as intended, these connectors must not be connected/disconnected when live or under load. The circuit design should ensure header pins, which can be touched, are not live when unmated.

For approvals and corresponding ratings, visit [www.wago.com](http://www.wago.com)

### 1-conductor female connector ▶ MCS MINI ▶ 2734 Series

Pin spacing: 3.5 mm / 0.138 inch ▶ Actuation type: Lever ▶ Push-in CAGE CLAMP® ▶ Conductor entry direction to mating direction: 0° ▶ Color: light gray

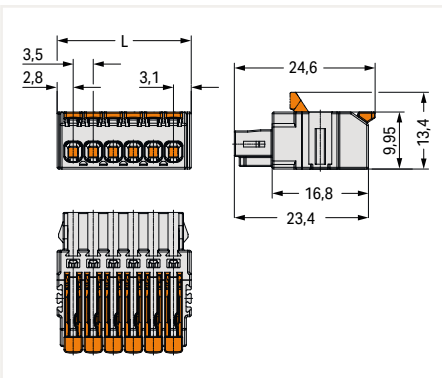
Locking of plug-in connection: Without

Locking of plug-in connection: Center locking lever

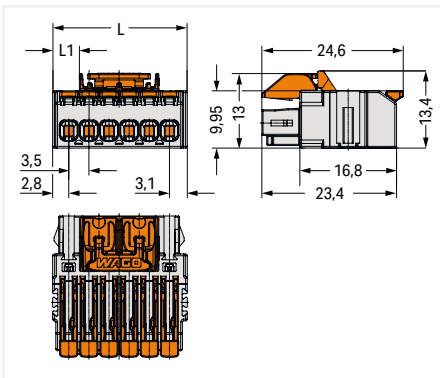


Pole No.	Item No.	PU
2	2734-1102/327-000	200
3	2734-1103/327-000	200
4	2734-1104/327-000	100
5	2734-1105/327-000	100
6	2734-1106/327-000	100
7	2734-1107/327-000	100
8	2734-1108/327-000	50
10	2734-1110/327-000	50
12	2734-1112/327-000	50
16	2734-1116/327-000	25

Pole No.	Item No.	PU
4	2734-1104/328-000	50
5	2734-1105/328-000	50
6	2734-1106/328-000	50
7	2734-1107/328-000	50
8	2734-1108/328-000	50
10	2734-1110/328-000	50
12	2734-1112/328-000	50
16	2734-1116/328-000	25



$L = (\text{pol no.} \times \text{pin spacing}) + 2.4 \text{ mm}$



$L = (\text{pol no.} \times \text{pin spacing}) + 2.4 \text{ mm}$

- pol no. 4: L1 = 1.15 mm
- pol no. 5 + 6: L1 = 4.65 mm
- pol no. 7 + 8: L1 = 8.15 mm
- pol no. 9 + 10: L1 = 11.65 mm
- pol no. 11 + 12: L1 = 15.15 mm
- pol no. 13 + 14: L1 = 18.65 mm
- pol no. 15 + 16: L1 = 22.15 mm

Accessories; for all products on this page



Jumper; Pole No.: 2		
Color	Item No.	PU
○ light gray	2734-402	25

Coding pin carrier with 5 coding pins		
Color	Item No.	PU
● orange	2734-505	25

PU = Packaging Unit; SPU = Subpackaging Unit; Dimensions in mm

Variants:

- Other pole numbers
- Other versions (or variants) can be requested from WAGO Sales or configured at <https://configurator.wago.com/>

## 1-conductor female plug ▶ MCS MAXI 6 ▶ 831 Series

Pin spacing: 7.62 mm / 0.3 inch ▶ Actuation type: Lever ▶ Push-in CAGE CLAMP® ▶ Color: light gray

1



- Intuitive and tool-free lever actuation
- Universal connection for all conductor types
- Push-in terminations of solid and ferruled conductors
- Test slot 0° and 90° to conductor entry
- 100 % protected against mismatching
- Coding via coding fingers

### Electrical Data

Ratings per		IEC/EN 60664-1		
Overvoltage category		III	III	II
Pollution degree		3	2	2
Rated voltage		800 V	1000 V	1000 V
Rated impulse voltage		8 kV	8 kV	8 kV
Rated current		41 A	41 A	41 A
Approbations per		UL 1059		
Use group		B	C	D
Rated voltage		-	600 V	600 V
Rated current		-	35 A	5 A
Approbations per		CSA		
Use group		B	C	D
Rated voltage		-	600 V	600 V
Rated current		-	35 A	5 A

### Connection Data

Connection technology	Push-in CAGE CLAMP®
Strip length	13 ... 15 mm / 0.51 ... 0.59 inch
Solid conductor	0.5 ... 10 mm <sup>2</sup> / 20 ... 8 AWG
Fine-stranded conductor	0.5 ... 10 mm <sup>2</sup> / 20 ... 8 AWG
Fine-stranded conductor; with insulated ferrule	0.5 ... 6 mm <sup>2</sup>
Fine-stranded conductor; with uninsulated ferrule	0.5 ... 6 mm <sup>2</sup>

### Material Data

Material group	I
Insulation material	Polyamide (PA66)
Flammability class per UL94	V0
Clamping spring material	Chrome nickel spring steel (CrNi)
Contact material	Electrolytic copper (E <sub>cu</sub> )
Contact plating	tin-plated

### Environmental Requirements

Limit temperature range	-60 ... +105 °C
-------------------------	-----------------

The MCS – MULTI CONNECTION SYSTEM includes connectors without breaking capacity in accordance with DIN EN 61984. When used as intended, these connectors must not be connected/disconnected when live or under load. The circuit design should ensure header pins, which can be touched, are not live when unmated.

For approvals and corresponding ratings, visit [www.wago.com](http://www.wago.com)

# 1-conductor female plug ▶ MCS MAXI 6 ▶ 831 Series

Pin spacing: 7.62 mm / 0.3 inch ▶ Actuation type: Lever ▶ Push-in CAGE CLAMP® ▶ Color: light gray

Locking of plug-in connection: frontal locking lever

Locking of plug-in connection: lateral locking lever

Locking of plug-in connection: central locking lever



831-1104/320-000



831-1104/038-000

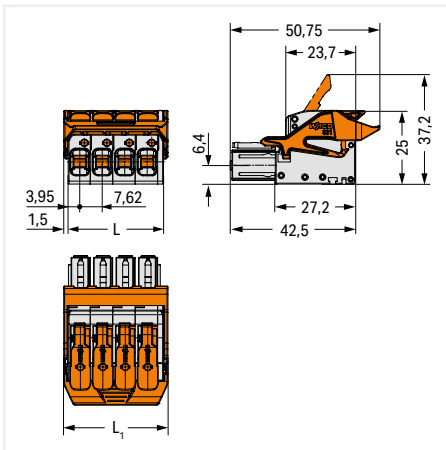


831-1104/322-000

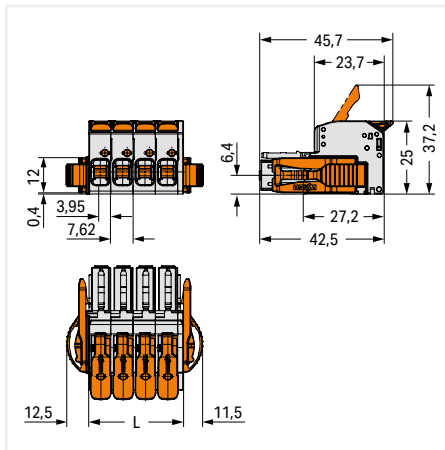
Pole No.	Item number	PU
3	831-1103/320-000	24
4	831-1104/320-000	12
5	831-1105/320-000	12

Pole No.	Item number	PU
2	831-1102/038-000	24
3	831-1103/038-000	24
4	831-1104/038-000	12
5	831-1105/038-000	12
6	831-1106/038-000	12
7	831-1107/038-000	12
8	831-1108/038-000	12
9	831-1109/038-000	12

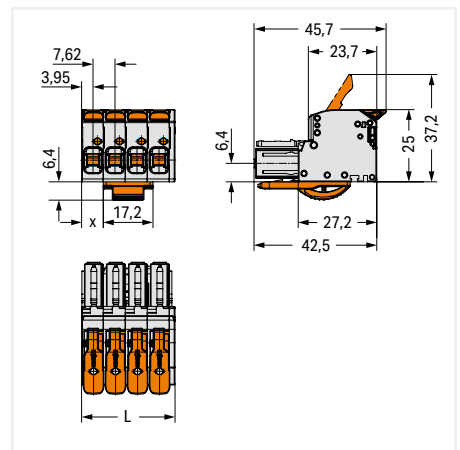
Pole No.	Item number	PU
2	831-1102/322-000	24
3	831-1103/322-000	24
4	831-1104/322-000	12
5	831-1105/322-000	12
6	831-1106/322-000	12
7	831-1107/322-000	6
8	831-1108/322-000	6
9	831-1109/322-000	6



L = pole no. x pin spacing + 1,9 mm  
L1 = L + 3 mm



L = pole no. x pin spacing + 1.9 mm



L = pole no. x pin spacing + 1.9 mm  
Pole No. 2: x = 0.1 mm  
Pole No. 3: x = 7.5 mm  
Pole No. 4: x = 7.5 mm  
Pole No. 5: x = 15.12 mm  
Pole No. 6: x = 15.12 mm  
Pole No. 7: x = 22.74 mm  
Pole No. 8: x = 22.74 mm  
Pole No. 9: x = 30.36 mm

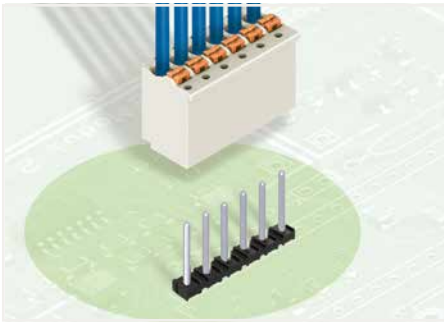
PU = Packaging Unit; SPU = Subpackaging Unit; Dimensions in mm

Other versions (or variants) can be requested from WAGO Sales or configured at <https://configurator.wago.com/>.

- Other pole numbers

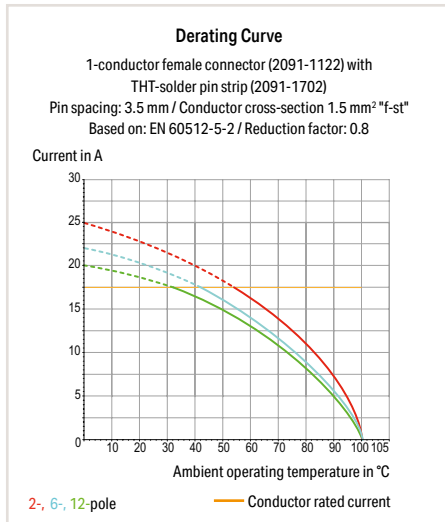
## THT Solder pin strip ▶ *picoMAX*<sup>®</sup> 3.5 ▶ 2091 Series

Pin spacing: 3.5 mm (0.138 inch) ▶ Color: black



- Horizontal or vertical PCB mounting via straight or angled solder pin strips
- Assembly of female connectors without loss of poles, allowing different functions to be divided within solder pin strip

4



### Electrical Data

Ratings per	IEC/EN 60664-1		
Overvoltage category	III	III	II
Pollution degree	3	2	2
Rated voltage	160 V	160 V	320 V
Rated impulse voltage	2.5 kV	2.5 kV	2.5 kV
Rated current	10 A	10 A	10 A

### Material Data

Material group	I
Insulating material	Glass-fiber-reinforced polyphthalamide (PPA GF)
Flammability class per UL94	V0
Contact material	Electrolytic copper (Ecu)
Contact plating	Tin-plated

### Mechanical Data

Solder pin length	3.6 mm
Solder pin diameter	1 mm
Drilled hole diameter (tolerance)	1.2 <sup>(+0.1)</sup> mm

### Environmental Requirements

Limit temperature range	-60 ... +100 °C
-------------------------	-----------------

The *picoMAX*<sup>®</sup> Pluggable Connection System includes connectors without breaking capacity in accordance with DIN EN 61984. When used as intended, these connectors shall not be connected/disconnected when live or under load. The circuit design should ensure header pins, which can be touched, are not live when unmated.

# THT Solder pin strip ▶ *picoMAX*® 3.5 ▶ 2091 Series

Pin spacing: 3.5 mm (0.138 inch) ▶ Color: black

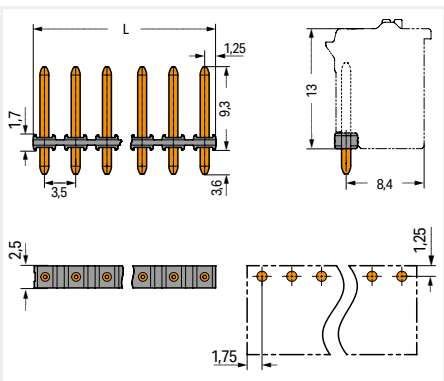
Mating direction to the PCB: 90°

Mating direction to the PCB: 0°

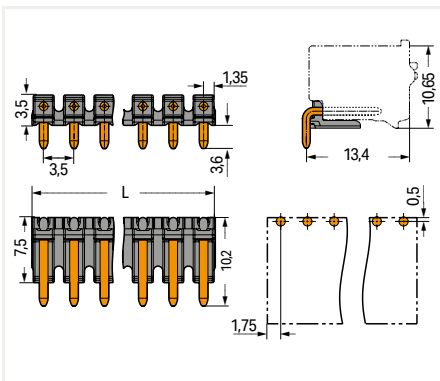


Pole No.	Item No.	PU
2	2091-1702	500
3	2091-1703	500
4	2091-1704	500
5	2091-1705	500
6	2091-1706	500
7	2091-1707	500
8	2091-1708	500
10	2091-1710	400
12	2091-1712	400

Pole No.	Item No.	PU
2	2091-1722	400
3	2091-1723	400
4	2091-1724	400
5	2091-1725	400
6	2091-1726	400
7	2091-1727	400
8	2091-1728	400
10	2091-1730	300
12	2091-1732	300



$L = (\text{pole no.} - 1) \times \text{pin spacing} + 2.5 \text{ mm}$



$L = (\text{pole no.} - 1) \times \text{pin spacing} + 2.7 \text{ mm}$

4

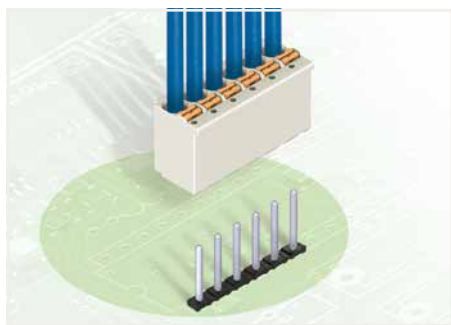
PU = Packaging Unit; SPU = Subpackaging Unit; Dimensions in mm

Other variants can be requested via the WAGO sales department or, if necessary, configured at <https://configurator.wago.com/>:

- Other pole numbers

**THT Solder pin strip ▶ *picoMAX*<sup>®</sup> 5.0 ▶ 2092 Series**

Pin spacing: 5 mm (0.197 inch) ▶ Color: black

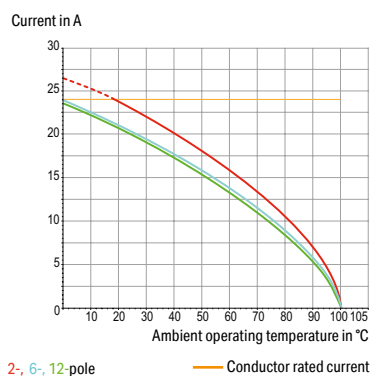


- Horizontal or vertical PCB mounting via straight or angled solder pin strips
- Assembly of female connectors without loss of poles, allowing different functions to be divided within solder pin strip

4

**Derating Curve**

1-conductor female connector (2092-1122) with  
THT-solder pin strip (2092-1702)  
Pin spacing: 5 mm / Conductor cross-section 2.5 mm<sup>2</sup> "f-st"  
Based on: EN 60512-5-2 / Reduction factor: 0.8

**Electrical Data**

Ratings per	IEC/EN 60664-1		
Overvoltage category	III	III	II
Pollution degree	3	2	2
Rated voltage	250 V	320 V	630 V
Rated impulse voltage	4 kV	4 kV	4 kV
Rated current	16 A	16 A	16 A

**Material Data**

Material group	I
Insulating material	Glass-fiber-reinforced polyphthalamide (PPA GF)
Flammability class per UL94	V0
Contact material	Electrolytic copper (Ecu)
Contact plating	Tin-plated

**Mechanical Data**

Solder pin length	3.6 mm
Solder pin diameter	1.4 mm
Drilled hole diameter (tolerance)	1.6 <sup>(+0.1)</sup> mm

**Environmental Requirements**

Limit temperature range	-60 ... +100 °C
-------------------------	-----------------

The *picoMAX*<sup>®</sup> Pluggable Connection System includes connectors without breaking capacity in accordance with DIN EN 61984. When used as intended, these connectors shall not be connected/disconnected when live or under load. The circuit design should ensure header pins, which can be touched, are not live when unmated.



# THT Solder pin strip ▶ *picoMAX*® 5.0 ▶ 2092 Series

Pin spacing: 5 mm (0.197 inch) ▶ Color: black

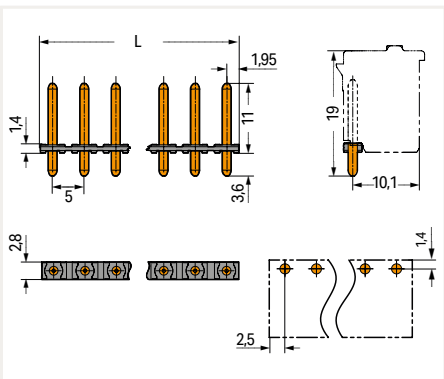
Mating direction to the PCB: 90°

Mating direction to the PCB: 0°

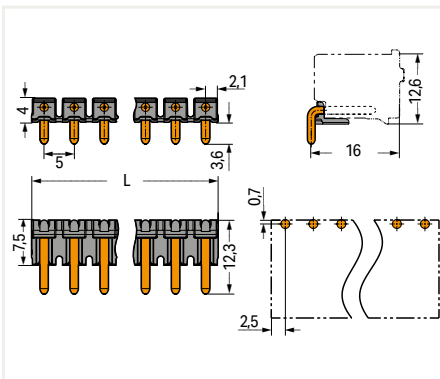


Pole No.	Item No.	PU
2	2092-1702	400
3	2092-1703	400
4	2092-1704	400
5	2092-1705	400
6	2092-1706	400
7	2092-1707	400
8	2092-1708	400
9	2092-1709	300
10	2092-1710	300
12	2092-1712	300

Pole No.	Item No.	PU
2	2092-1722	300
3	2092-1723	300
4	2092-1724	300
5	2092-1725	300
6	2092-1726	300
7	2092-1727	300
8	2092-1728	300
9	2092-1729	300
10	2092-1730	200
12	2092-1732	200



$L = (\text{pole no.} - 1) \times \text{pin spacing} + 3.9 \text{ mm}$



$L = (\text{pole no.} - 1) \times \text{pin spacing} + 4.2 \text{ mm}$

4

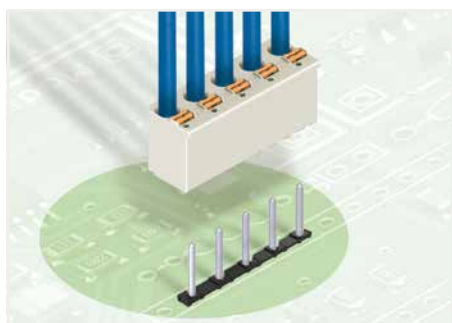
PU = Packaging Unit; SPU = Subpackaging Unit; Dimensions in mm

Other variants can be requested via the WAGO sales department or, if necessary, configured at <https://configurator.wago.com/>:

- Other pole numbers

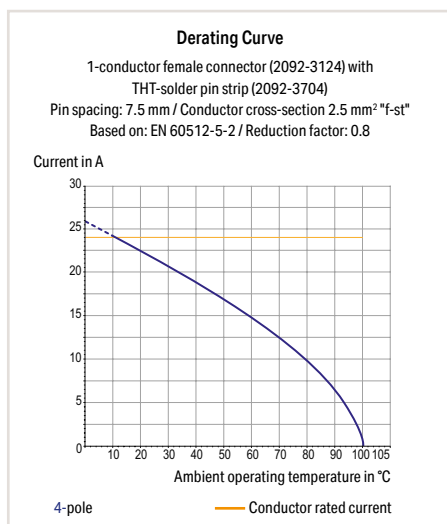
## THT Solder pin strip ▶ *picoMAX*<sup>®</sup> 7.5 ▶ 2092 Series

Pin spacing: 7.5 mm (0.295 inch) ▶ Color: black



- Horizontal or vertical PCB mounting via straight or angled solder pin strips
- Assembly of female connectors without loss of poles, allowing different functions to be divided within solder pin strip

4



### Electrical Data

Ratings per	IEC/EN 60664-1		
Overvoltage category	III	III	II
Pollution degree	3	2	2
Rated voltage	400 V	630 V	1000 V
Rated impulse voltage	6 kV	6 kV	6 kV
Rated current	16 A	16 A	16 A

### Material Data

Material group	I
Insulating material	Glass-fiber-reinforced polyphthalamide (PPA GF)
Flammability class per UL94	V0
Contact material	Electrolytic copper (Ecu)
Contact plating	Tin-plated

### Mechanical Data

Solder pin length	3.6 mm
Solder pin diameter	1.4 mm
Drilled hole diameter (tolerance)	1.6 <sup>(+0.1)</sup> mm

### Environmental Requirements

Limit temperature range	-60 ... +100 °C
-------------------------	-----------------

The *picoMAX*<sup>®</sup> Pluggable Connection System includes connectors without breaking capacity in accordance with DIN EN 61984. When used as intended, these connectors shall not be connected/disconnected when live or under load. The circuit design should ensure header pins, which can be touched, are not live when unmated.

# THT Solder pin strip ▶ *picoMAX*® 7.5 ▶ 2092 Series

Pin spacing: 7.5 mm (0.295 inch) ▶ Color: black

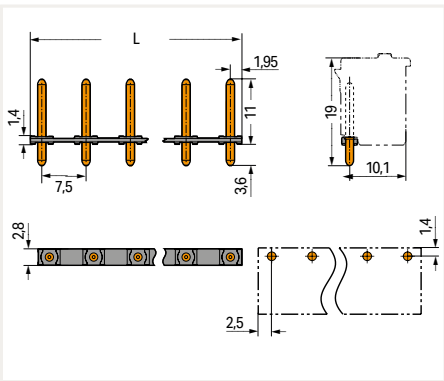
Mating direction to the PCB: 90°

Mating direction to the PCB: 0°

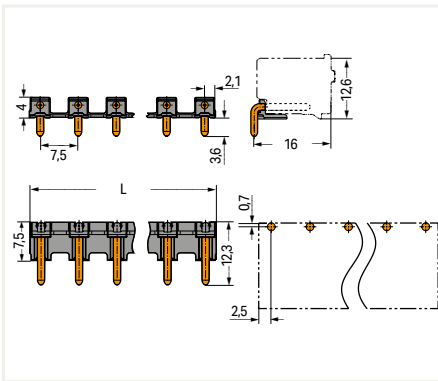


Pole No.	Item No.	PU
2	2092-3702	400
3	2092-3703	400
4	2092-3704	400
5	2092-3705	400

Pole No.	Item No.	PU
2	2092-3722	300
3	2092-3723	300
4	2092-3724	300
5	2092-3725	300



$L = (\text{pole no.} - 1) \times \text{pin spacing} + 3.9 \text{ mm}$



$L = (\text{pole no.} - 1) \times \text{pin spacing} + 4.2 \text{ mm}$

4

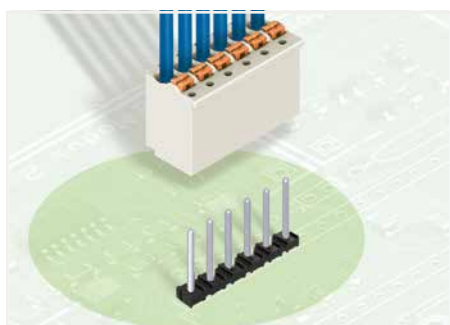
PU = Packaging Unit; SPU = Subpackaging Unit; Dimensions in mm

Other variants can be requested via the WAGO sales department or, if necessary, configured at <https://configurator.wago.com/>:

- Other pole numbers

## THR Solder pin strip ▶ *picoMAX*<sup>®</sup> 3.5 ▶ 2091 Series

Pin spacing: 3.5 mm (0.138 inch) ▶ Color: black



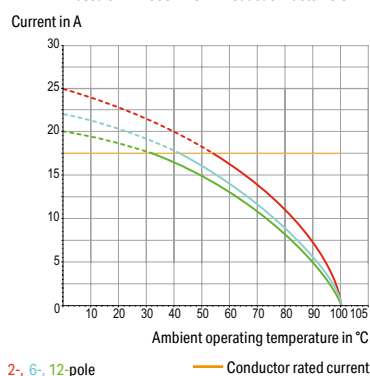
- Horizontal or vertical PCB mounting via straight or angled solder pin strips
- Assembly of female connectors without loss of poles, allowing different functions to be divided within solder pin strip

4

### Derating Curve

1-conductor female connector (2091-1122) with  
THR-solder pin strip (2091-1702/200-000)

Pin spacing: 3.5 mm / Conductor cross-section 1.5 mm<sup>2</sup> "f-st"  
Based on: EN 60512-5-2 / Reduction factor: 0.8



### Electrical Data

Ratings per	IEC/EN 60664-1		
Overvoltage category	III	III	II
Pollution degree	3	2	2
Rated voltage	160 V	160 V	320 V
Rated impulse voltage	2.5 kV	2.5 kV	2.5 kV
Rated current	10 A	10 A	10 A

### Material Data

Material group	I
Insulating material	Glass-fiber-reinforced polyphthalamide (PPA GF)
Flammability class per UL94	V0
Contact material	Electrolytic copper (Ecu)
Contact plating	Tin-plated

### Mechanical Data

Solder pin length	2.4 mm
Solder pin diameter	1 mm
Plated through-hole diameter (THR)	1.2 <sup>(±0.1)</sup> mm

### Environmental Requirements

Limit temperature range	-60 ... +100 °C
-------------------------	-----------------

The *picoMAX*<sup>®</sup> Pluggable Connection System includes connectors without breaking capacity in accordance with DIN EN 61984. When used as intended, these connectors shall not be connected/disconnected when live or under load. The circuit design should ensure header pins, which can be touched, are not live when unmated.

# THR Solder pin strip ▶ *picoMAX*® 3.5 ▶ 2091 Series

Pin spacing: 3.5 mm (0.138 inch) ▶ Color: black

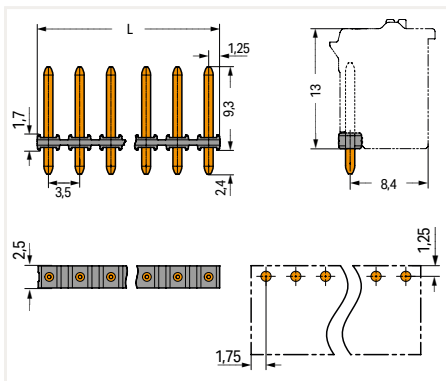
Mating direction to the PCB: 90°

Mating direction to the PCB: 0°

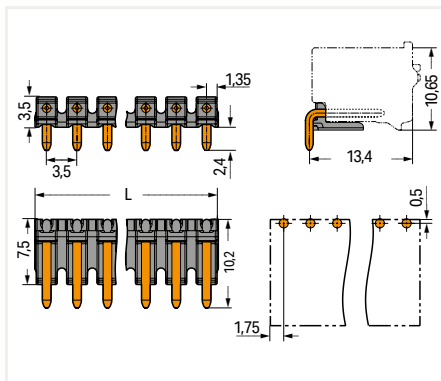


Pole No.	Item No.	PU
2	2091-1702/200-000	500
3	2091-1703/200-000	500
4	2091-1704/200-000	500
5	2091-1705/200-000	500
6	2091-1706/200-000	500
7	2091-1707/200-000	500
8	2091-1708/200-000	500
10	2091-1710/200-000	400
12	2091-1712/200-000	400

Pole No.	Item No.	PU
2	2091-1722/200-000	400
3	2091-1723/200-000	400
4	2091-1724/200-000	400
5	2091-1725/200-000	400
6	2091-1726/200-000	400
7	2091-1727/200-000	400
8	2091-1728/200-000	400
10	2091-1730/200-000	300
12	2091-1732/200-000	300



$L = (\text{pole no.} - 1) \times \text{pin spacing} + 2.5 \text{ mm}$



$L = (\text{pole no.} - 1) \times \text{pin spacing} + 2.7 \text{ mm}$

4

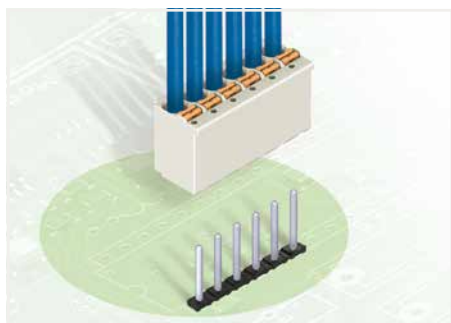
PU = Packaging Unit; SPU = Subpackaging Unit; Dimensions in mm

Other variants can be requested via the WAGO sales department or, if necessary, configured at <https://configurator.wago.com/>:

- Other pole numbers

**THR Solder pin strip ▶ *picoMAX*<sup>®</sup> 5.0 ▶ 2092 Series**

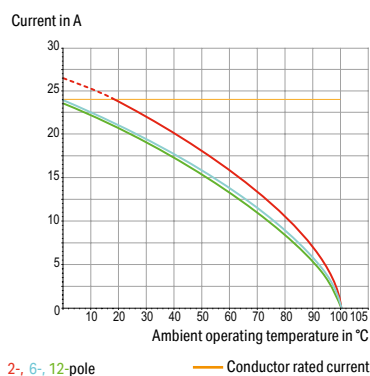
Pin spacing: 5 mm (0.197 inch) ▶ Color: black



- Horizontal or vertical PCB mounting via straight or angled solder pin strips
- Assembly of female connectors without loss of poles, allowing different functions to be divided within solder pin strip

**Derating Curve**

1-conductor female connector (2092-1122) with  
THR-solder pin strip (2092-1702/200-000)  
Pin spacing: 5 mm / Conductor cross-section 2.5 mm<sup>2</sup> "f-st"  
Based on: EN 60512-5-2 / Reduction factor: 0.8

**Electrical Data**

Ratings per	IEC/EN 60664-1		
Overvoltage category	III	III	II
Pollution degree	3	2	2
Rated voltage	250 V	320 V	630 V
Rated impulse voltage	4 kV	4 kV	4 kV
Rated current	16 A	16 A	16 A

**Material Data**

Material group	I
Insulating material	Glass-fiber-reinforced polyphthalamide (PPA GF)
Flammability class per UL94	V0
Contact material	Electrolytic copper (Ecu)
Contact plating	Tin-plated

**Mechanical Data**

Solder pin length	2.4 mm
Solder pin diameter	1.4 mm
Plated through-hole diameter (THR)	1.6 <sup>(+0.1)</sup> mm

**Environmental Requirements**

Limit temperature range	-60 ... +100 °C
-------------------------	-----------------

The *picoMAX*<sup>®</sup> Pluggable Connection System includes connectors without breaking capacity in accordance with DIN EN 61984. When used as intended, these connectors shall not be connected/disconnected when live or under load. The circuit design should ensure header pins, which can be touched, are not live when unmated.

# THR Solder pin strip ▶ *picoMAX*® 5.0 ▶ 2092 Series

Pin spacing: 5 mm (0.197 inch) ▶ Color: black

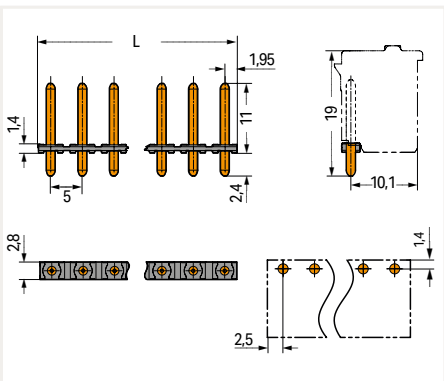
Mating direction to the PCB: 90°

Mating direction to the PCB: 0°

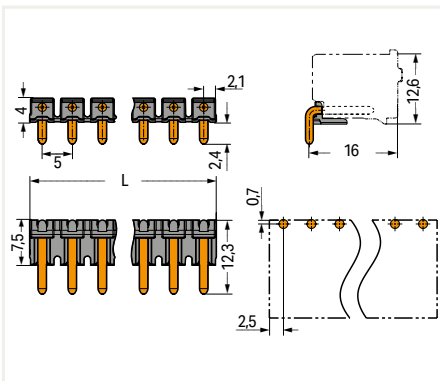


Pole No.	Item No.	PU
2	2092-1702/200-000	400
3	2092-1703/200-000	400
4	2092-1704/200-000	400
5	2092-1705/200-000	400
6	2092-1706/200-000	400
7	2092-1707/200-000	400
8	2092-1708/200-000	400
9	2092-1709/200-000	300
10	2092-1710/200-000	300
12	2092-1712/200-000	300

Pole No.	Item No.	PU
2	2092-1722/200-000	300
3	2092-1723/200-000	300
4	2092-1724/200-000	300
5	2092-1725/200-000	300
6	2092-1726/200-000	300
7	2092-1727/200-000	300
8	2092-1728/200-000	300
9	2092-1729/200-000	300
10	2092-1730/200-000	200
12	2092-1732/200-000	200



L = (pole no. - 1) x pin spacing + 3.9 mm



L = (pole no. - 1) x pin spacing + 4.2 mm

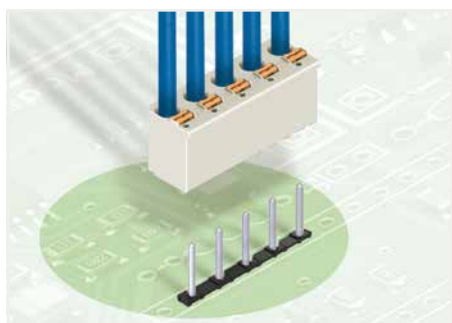
PU = Packaging Unit; SPU = Subpackaging Unit; Dimensions in mm

Other variants can be requested via the WAGO sales department or, if necessary, configured at <https://configurator.wago.com/>:

- Other pole numbers

## THR Solder pin strip ▶ *picoMAX*<sup>®</sup> 7.5 ▶ 2092 Series

Pin spacing: 7.5 mm (0.295 inch) ▶ Color: black

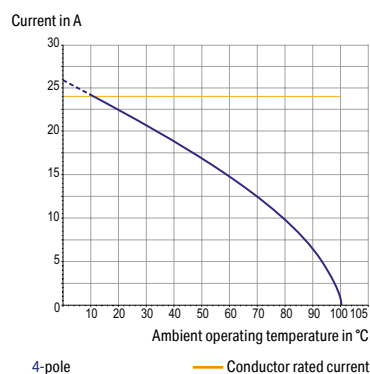


- Horizontal or vertical PCB mounting via straight or angled solder pin strips
- Assembly of female connectors without loss of poles, allowing different functions to be divided within solder pin strip

4

### Derating Curve

1-conductor female connector (2092-3124) with  
THR-solder pin strip (2092-3704/200-000)  
Pin spacing: 7.5 mm / Conductor cross-section 2.5 mm<sup>2</sup> "f-st"  
Based on: EN 60512-5-2 / Reduction factor: 0.8



### Electrical Data

Ratings per	IEC/EN 60664-1		
Overvoltage category	III	III	II
Pollution degree	3	2	2
Rated voltage	400 V	630 V	1000 V
Rated impulse voltage	6 kV	6 kV	6 kV
Rated current	16 A	16 A	16 A

### Material Data

Material group	I
Insulating material	Glass-fiber-reinforced polyphthalamide (PPA GF)
Flammability class per UL94	V0
Contact material	Electrolytic copper (Ecu)
Contact plating	Tin-plated

### Mechanical Data

Solder pin length	2.4 mm
Solder pin diameter	1.4 mm
Plated through-hole diameter (THR)	1.6 <sup>(+0.1)</sup> mm

### Environmental Requirements

Limit temperature range	-60 ... +100 °C
-------------------------	-----------------

The *picoMAX*<sup>®</sup> Pluggable Connection System includes connectors without breaking capacity in accordance with DIN EN 61984. When used as intended, these connectors shall not be connected/disconnected when live or under load. The circuit design should ensure header pins, which can be touched, are not live when unmated.



# THR Solder pin strip ▶ *picoMAX*® 7.5 ▶ 2092 Series

Pin spacing: 7.5 mm (0.295 inch) ▶ Color: black

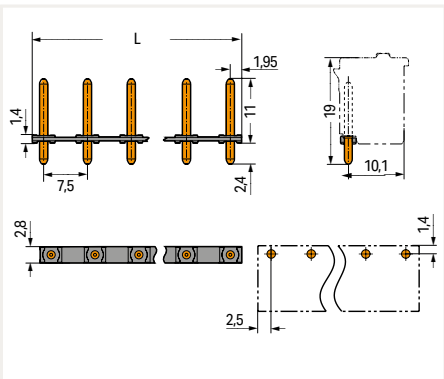
Mating direction to the PCB: 90°

Mating direction to the PCB: 0°

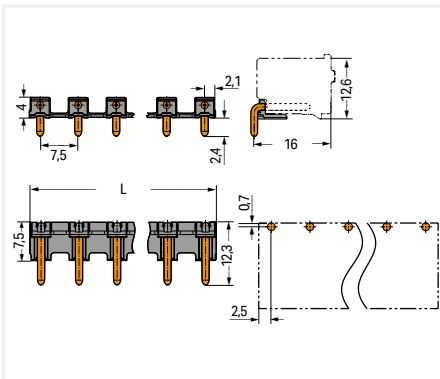


Pole No.	Item No.	PU
2	2092-3702/200-000	400
3	2092-3703/200-000	400
4	2092-3704/200-000	400
5	2092-3705/200-000	400

Pole No.	Item No.	PU
2	2092-3722/200-000	300
3	2092-3723/200-000	300
4	2092-3724/200-000	300
5	2092-3725/200-000	300



L = (pole no. - 1) x pin spacing + 3.9 mm



L = (pole no. - 1) x pin spacing + 4.2 mm

PU = Packaging Unit; SPU = Subpackaging Unit; Dimensions in mm





Other variants can be requested via the WAGO sales department or, if necessary, configured at <https://configurator.wago.com/>:

- Other pole numbers



## Volume 6, WAGO Marking

## Volume 6, WAGO Marking

		Page
	<b>Smart Printer</b>	<b>83</b>
	Safety labels	84
	Marking strips	84
	Cable tie marker	85

## Marking device

Printer model: Smart Printer ▶ Marking method: Thermotransfer

1



### Connection Data

Interfaces	USB, RS-232, Ethernet 10/100 Mbps
------------	-----------------------------------

### System Requirements

Memory	4 GB
Supported operating systems	Windows 7; Windows 8; Windows 10

### Technical Data

Operating voltage	100 ... 240 VAC, 50 ... 60 Hz (automatic adjustment)
Marking method	Thermal transfer
Print head	Glass layer, spring-mounted
Print speed (max.)	max. 127 mm/s (WAGO recommends 50.8 mm/s)
See-through/reflective sensor	yes, centrally fixed
Operating display	Color TFT LCD with navigation button
Safety approvals	CE (EMC)
Ink ribbon	Reel outside diameter: 40 mm; core inside diameter 12.7 mm (0.5 inch); max. length 110 m; max. width 58 mm
Memory	8 MB
Print resolution	300 dpi (12 pixels/mm)
Print width (max.)	47 mm
Print length (max.)	762 mm

### Mechanical Data

Dimensions W x H x D	(135 x 175 x 245) mm
----------------------	----------------------

### Environmental Requirements

Surrounding air temperature (operation)	5 ... 40 °C
Surrounding air temperature (storage)	-20 ... 50 °C

## Marking device

Printer model: Smart Printer ▶ Marking method: Thermotransfer

Scope of delivery: Power supply + cable, 2 x roller (258-5006 + 258-5007), 1 x reel holder, 1 x ink ribbon (258-5005), Smart Script marking software and driver, USB cable, external unwinder

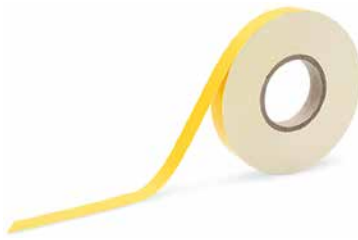


258-5001

	Item No.	PU
	258-5001	1

1

## Safety labels; Marking strips 210 / 2009 Series

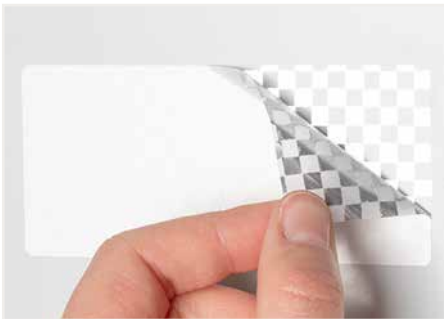


Safety labels; 99 x 44 mm; 300 labels/reel

Color	Item No.	Pack. Unit
○ silver	210-824	1

Marking strips; for Smart Printer; on reel; not stretchable; plain; 11 mm wide; 20 m reel

Color	Item No.	Pack. Unit
● yellow	2009-110/020-002	1



# Cable tie marker 211 Series



Cable tie marker; for Smart Printer; plain; for use with cable ties; 25 x 10 mm; 500 S00 pcs/reel

Color	Item No.	Pack. Unit
● yellow	211-835/000-002	1
● red	211-835/000-005	1
○ white	211-835	1

Cable tie marker; for Smart Printer; plain; for use with cable ties; 100 x 15 mm; 800 pcs/reel

Color	Item No.	Pack. Unit
● yellow	211-836/000-002	1
● red	211-836/000-005	1
○ white	211-836	1

Cable tie marker; for Smart Printer; plain; for use with cable ties; 44 x 10 mm; 500 pcs/reel

Color	Item No.	Pack. Unit
● yellow	211-837/000-002	1
○ white	211-837	1

## Accessories

Cable tie; 2.5 x 100 mm



807-090/101-100	1
-----------------	---

## Item Number Index

Item No.	Page	Item No.	Page	Item No.	Page	Item No.	Page
<b>207 Series</b>		<b>785 Series</b>		<b>2002 Series</b>		<b>2009 Series</b>	
207-1431	35	785-601	8	2002-474	9	2009-416	9
207-1432	35	785-604	8	2002-475	9		
207-1433	35	785-607	8	2002-475/011-000	9		
		785-613	8	2002-476	9	<b>2016 Series</b>	
				2002-477	9	2016-7601	8
<b>209 Series</b>		<b>793 Series</b>		2002-477/011-000	9	2016-7604	8
209-105	8	793-5501	4	2002-478	9	2016-7607	8
209-119	29			2002-479	9		
209-120	25			2002-479/011-000	9		
209-122	29	<b>807 Series</b>		2002-480	9	2016-7714	8
209-123	28	807-090/101-100	86	2002-481	9		
209-137	28			2002-481/011-000	9		
				2002-482	9	<b>2052 Series</b>	
209-1115	39	<b>811 Series</b>		2002-492	7	2052-301	30
209-1116	39	811-1316	32	2002-492/000-012	7	2052-304	30
				2002-493	7	2052-307	30
						2052-311	31
				2002-611	26	2052-314	31
<b>210 Series</b>		<b>831 Series</b>		2002-649	26	2052-317	31
210-111	26	831-1102/038-000	68			2052-321	30
210-133	8	831-1102/322-000	68	2002-3291	7	2052-324	30
210-136	26	831-1103/038-000	68	2002-3292	7	2052-327	30
210-154	29	831-1103/320-000	68			2052-381	28
		831-1103/322-000	68	<b>2003 Series</b>		2052-391	29
210-281	8	831-1104/038-000	68	2003-499	10		
210-295	26	831-1104/320-000	68			2052-1201	27
210-296	26	831-1104/322-000	68	2003-500	10	2052-1204	27
		831-1105/038-000	68			2052-1207	27
210-334	39	831-1105/320-000	68	2003-911	12	2052-1291	26
		831-1105/322-000	68				
210-720	9	831-1106/038-000	68	2003-7300	8	<b>2086 Series</b>	
		831-1106/322-000	68			2086-1102	44
210-824	85	831-1107/038-000	68	<b>2004 Series</b>		2086-1102/300-000	43
		831-1107/322-000	68	2004-171	14	2086-1102/700-000/997-604	59
<b>211 Series</b>		831-1108/038-000	68	2004-172	14	2086-1103	44
211-835	86	831-1108/322-000	68			2086-1103/300-000	43
211-835/000-002	86	831-1109/038-000	68	2004-402	14	2086-1103/700-000/997-605	59
211-835/000-005	86	831-1109/322-000	68	2004-403	14	2086-1104	44
211-836	86			2004-404	14	2086-1104/300-000	43
211-836/000-002	86	<b>2001 Series</b>		2004-405	14	2086-1104/700-000/997-605	59
211-836/000-005	86	2001-402	4	2004-406	14	2086-1105	44
211-837	86	2001-403	4	2004-407	14	2086-1105/300-000	43
211-837/000-002	86	2001-404	4	2004-408	14	2086-1105/700-000/997-605	59
				2004-409	14	2086-1106	44
<b>221 Series</b>		2001-511	4	2004-410	14	2086-1106/300-000	43
221-2401	37			2004-433	14	2086-1106/700-000/997-607	59
221-2411	37	<b>2002 Series</b>		2004-434	14	2086-1107	44
		2002-115	27	2004-435	14	2086-1107/300-000	43
221-2501	39	2002-131	7	2004-436	14	2086-1107/700-000/997-607	59
221-2502	39	2002-171	7	2004-437	14	2086-1108	44
221-2503	39	2002-172	7	2004-438	14	2086-1108/300-000	43
221-2504	39			2004-439	14	2086-1108/700-000/997-607	59
221-2505	39	2002-400	9	2004-440	14	2086-1109	44
221-2511	39	2002-402	7			2086-1109/300-000	43
221-2512	39	2002-403	7	2004-911	12	2086-1109/700-000/997-607	59
221-2513	39	2002-404	7	<b>2005 Series</b>		2086-1110	44
221-2514	39	2002-405	7	2005-7300	14	2086-1110/300-000	43
221-2515	39	2002-405/011-000	26			2086-1110/700-000/997-607	59
221-2521	39	2002-406	7	<b>2006 Series</b>		2086-1111	44
221-2522	39	2002-406/020-000	26	2006-8031	4	2086-1111/300-000	43
221-2523	39	2002-407	7	2006-8033	4	2086-1111/700-000/997-607	59
221-2524	39	2002-408	7	2006-8034	4	2086-1112	44
221-2525	39	2002-409	7	2006-8035	4	2086-1112/300-000	43
221-2531	39	2002-410	7			2086-1112/700-000/997-607	59
221-2532	39	2002-413	5	<b>2009 Series</b>		2086-1122	48
221-2533	39	2005-415	5	2009-110	4	2086-1122/300-000	47
221-2534	39	2002-423	9	2009-110/020-002	85	2086-1123	48
221-2535	39	2002-423/000-005	9	2009-115	4	2086-1123/300-000	47
		2002-423/000-006	9	2009-174	4	2086-1124	48
<b>249 Series</b>		2002-433	7	2009-182	4	2086-1125	48
249-101	26	2002-434	7			2086-1125/300-000	47
		2002-435	7	2009-304	8	2086-1126	48
		2002-436	7	2009-305	8	2086-1126/300-000	47
<b>258 Series</b>		2002-437	7	2009-309	9	2086-1127	48
258-5001	83	2002-438	7	2009-310	9	2086-1127/300-000	47
		2002-439	7			2086-1128	48
<b>777 Series</b>		2002-440	7	2009-412	9	2086-1128/300-000	47
777-303	8	2002-472	9	2009-414	9	2086-1129	48
		2002-473	9			2086-1129/300-000	47
		2002-473/011-000	9			2086-1130	48
						2086-1130/300-000	47





## Item Number Index

Item No.	Page	Item No.	Page	Item No.	Page	Item No.	Page
<b>2252 Series</b>							
2252-311	29						
2252-314	29						
2252-317	29						
2252-321	28						
2252-324	28						
2252-327	28						
2252-1201	26						
2252-1204	26						
2252-1207	26						
<b>2601 Series</b>							
2601-1102	63						
2601-1103	63						
2601-1104	63						
2601-1105	63						
2601-1106	63						
2601-1107	63						
2601-1108	63						
2601-1109	63						
2601-1110	63						
2601-1111	63						
2601-1112	63						
2601-3102	63						
2601-3103	63						
2601-3104	63						
2601-3105	63						
2601-3106	63						
2601-3107	63						
2601-3108	63						
2601-3109	63						
2601-3110	63						
2601-3111	63						
2601-3112	63						
<b>2734 Series</b>							
2734-402	65						
2734-505	65						
2734-1102/327-000	65						
2734-1103/327-000	65						
2734-1104/327-000	65						
2734-1104/328-000	65						
2734-1105/327-000	65						
2734-1105/328-000	65						
2734-1106/327-000	65						
2734-1106/328-000	65						
2734-1107/327-000	65						
2734-1107/328-000	65						
2734-1108/327-000	65						
2734-1108/328-000	65						
2734-1110/327-000	65						
2734-1110/328-000	65						
2734-1112/327-000	65						
2734-1112/328-000	65						
2734-1116/327-000	65						
2734-1116/328-000	65						



## WAGO Worldwide Companies and Representatives

- Algeria**  
Please contact WAGO France
- Argentina**  
Bruno Schillig S.A.  
Arenales 4030, B1604CFD  
Florida, PBA  
Phone +54 11 4730 1100  
Fax +54 11 4761 7244  
wago@schillig.com.ar
- Armenia**  
ROOT ITSP LLC  
33 Halabyan str.  
0038, Yerevan  
info@root.am
- Australia**  
WAGO Pty. Ltd.  
2-4 Overseas Drive  
Noble Park Victoria 3174  
Phone +61 03 8791 6300  
Fax +61 03 9701 0177  
sales.anz@wago.com
- Austria**  
WAGO Kontakttechnik Ges.m.b.H.  
Europaring F15 602  
Campus 21  
2345 Brunn am Gebirge  
Phone +43 1 6150780  
Fax +43 1 6150775  
wago-at@wago.com
- Azerbaijan**  
AZ Technics LTD  
Zulfi V. Alizade  
Y.Safarov str.33, AZ1025,  
Baku  
Phone +994 50 210 24 49  
Fax +994 12 496 83 34  
info@AZtechnics.az
- Bangladesh**  
Please contact WAGO India
- Belarus**  
DemsEnergO LLC  
Vostochnaya Str. 39, Office 1N.  
220040 Minsk  
Phone +375 17 2102189  
Fax +375 17 2102189  
dems@dems.by
- ATAVA Techno Ltd.  
Ul. Denisovskaya 47, office 1  
220006 Minsk  
Phone +375173881018  
atava@atava.by
- Belgium**  
WAGO BeLux nv  
Excelsiorlaan 11  
1930 Zaventem  
Phone +32 2 717 9090  
Fax +32 2 717 9099  
info-be@wago.com
- Bolivia**  
ISOTEK S.R.L.  
Zona Casco Viejo  
Calle Isso #578, B/San Roque  
Santa Cruz  
Phone +591 721 000 27  
info@isotek.bo
- Bosnia & Herzegovina**  
Please contact WAGO Bulgaria
- Brazil**  
WAGO Eletroeletrônicos Ltda  
Rua Tripoli, 640, Loteamento Multivias II  
Jardim Ermida I  
Jundiaí - SP  
CEP 13212-217  
Phone +55 (11) 2923 7200  
info.br@wago.com
- Bulgaria**  
WAGO Kontakttechnik GmbH & Co. KG  
Representative Office Sofia  
Business Center Serdiika  
2E Akad. Ivan Geshov Blvd.  
Building 1, Floor 4, Office 417  
1330 Sofia  
Phone +359 2 489 46 09/10  
Fax +359 2 928 28 50  
info-BG@wago.com
- Canada**  
WAGO Canada, Inc.  
1550 Yorkton Court - Unit 1  
Burlington, ON L7P 5B7  
Phone +1-888-9246-221  
info.ca@wago.com
- Chile**  
Desimat Chile  
Av Puerto Vespuccio 9670  
Pudahuel Santiago  
Phone +56 2 747 0152  
Fax +56 2 747 0153  
ventaschile@desimat.cl
- China**  
WAGO Electronic (Tianjin) Co., Ltd.  
No.5, Quan Hui Road  
Wuqing Development Area  
Tianjin 301700  
Phone +86 22 5967 7688  
Fax +86 22 5961 7668  
info-cn@wago.com
- Colombia**  
T.H.L. Ltda.  
Cra. 49 B #91-33  
Bogotá  
Phone +57 1 621 85 50  
Fax +57 1 621 60 28  
ventas-thl2@thl.com.co
- Croatia**  
M.B.A. d.o.o.  
Frana Supila 5  
51211 Matulji  
Phone +385 51 275-736  
Fax +385 51 275-066  
mba@ri.htnet.hr
- MICROSTAR d.o.o.  
Siget 18 b  
10020 Zagreb  
Phone +385 1 3647 849  
Fax +385 1 3636 662  
wago@microstar.hr
- Czech Republic**  
WAGO Elektro spol. sr. o.  
Rozvodova 1116/36  
143 00 Praha 12 - Modřany  
Phone +420 261 090 143  
info.cz@wago.com  
wago-cz@wago.com
- Denmark**  
WAGO Denmark A/S  
Lejrvej 17  
3500 Værløse  
Phone +45 44 357 777  
info.dk@wago.com
- Ecuador**  
ECUAINSETEC CIA LTDA  
Yugoslavia N34-110 y Azuay  
Quito  
Phone +593 2 24 50 475  
Fax +593 2 22 51 242  
g.castro@ecuainsetec.com.ec
- Egypt**  
IBN Engineering / Distributor (Automation  
Products)  
Phone +2 02 3 721 43 50  
Fax +2 02 3 722 17 09  
nasrelwy@ibnengineering.com
- Estonia**  
Eltarko OÜ  
Treiali tee 2 door 6  
Peetri küla  
Rae vald  
75312 Harjumaa  
Phone +372 651 7731/32  
Fax +372 651 7786  
andres@eltarko.ee
- Finland**  
WAGO Finland Oy  
Äyritie 12 B  
01510 Vantaa  
Phone +358 9 7744 060  
Fax +358 9 7744 0660  
info.fi@wago.com
- France**  
WAGO Contact SAS  
Paris Nord 2  
83 Rue des Chardonnerets  
93290 - Tremblay en France  
B.P. 95947 - ROISSY CDG CEDEX  
Phone +33 1 4817 2590  
Fax +33 1 4863 2520  
info-fr@wago.com
- Germany**  
WAGO Kontakttechnik GmbH & Co. KG  
Hansastraße 27  
32423 Minden  
Phone +49 571 887-0  
Fax +49 571 887-169  
info@wago.com
- WAGO Kontakttechnik GmbH & Co. KG  
Waldstraße 1  
99706 Sondershausen  
Phone +49 3632 659-0  
Fax +49 3632 659-100  
info@wago.com
- Great Britain**  
WAGO Limited  
Triton Park, Swift Valley Industrial Estate  
RUGBY  
Warwickshire, CV21 1SG  
Phone +44 1788 568 008  
Fax +44 1788 568 050  
uksales@wago.com
- Greece**  
PANAGIOTIS SP. DIMOULAS  
DIMOULAS AUTOMATIONS  
Kritis Str. 26  
10439 Athens  
Phone +30 210 883 3337  
Fax +30 210 883 4436  
wago.info@dimoulas.com.gr
- Honduras**  
CILASAS S.A. de C.V.  
Barrio Los Andes  
7 Calle entre 14 y 15 Ave. N.O.  
P.O. Box. 1061  
San Pedro Sula  
Phone +504 2557 1146/7  
Fax +504 2557 1149  
ventas@iecilasa.com
- Hong Kong**  
National Concord Eng., Ltd.  
Unit A-B, 5/F.  
Southeast Industrial Building  
611-619 Castle Peak Road  
Tsuen Wan, N.T.  
Phone +852 2429 2611  
Fax +852 2429 2164  
sales@nce.com.hk
- Hungary**  
WAGO Hungária KFT  
Ipari Park, Gyár u. 2  
2040 Budapest  
Phone +36 23 502-170  
Fax +36 23 502-1  
info.hu@wago.com
- Iceland**  
Johan Rönning ehf / S.Gudjonsson  
Smidjuvegur 3  
200 Kopavogur  
Phone +354 520-4500  
Fax +354 520-4501  
export@wago.com
- India**  
WAGO Private Limited  
C-27, Sector-58, Phase-III  
Noida-201 301  
Uttar Pradesh-201301  
Phone +91 120 438 8700  
Fax +91 120 438 8799  
info.india@wago.com
- Indonesia**  
Please contact WAGO Singapore
- Iraq**  
Please contact WAGO Middle East
- Ireland**  
Drives & Controls  
Unit F4, Riverview Business Park  
Nangor Road  
Dublin 12  
Phone +353 1 4604474  
Fax +353 1 4604507  
info@drivesandcontrols.ie
- Israel**  
Comtel Israel Electronic Solutions Ltd.  
Bet Hapaamon  
20 Hataas Street  
P.O. Box 66  
44425 Kefar-Saba  
Phone +972 9 76 77 240  
Fax +972 9 76 77 243  
sales@comtel.co.il
- Italy**  
WAGO Elettronica SRL a Socio Unico  
Via Parini 1  
40033 Casalecchio di Reno (BO)  
Phone +39 051 6132112  
Fax +39 051 6132888  
info-ita@wago.com
- Japan**  
WAGO Co. of JAPAN Ltd.  
Kinshicho Prime Tower  
1-5-7, Kameido, Koto-ku  
Tokyo 136-0071  
Phone +81 3 5627 2050  
Fax +81 3 5627 2055  
info-jp@wago.com
- Jordan**  
Oxgen for Engineering Systems Co. L.L.C  
PO Box: 2154 Amman  
11953 Jordan  
Phone +962 79 9 860 869  
Fax. +962 655 211 89  
info@oxgn-grp.com
- Kazakhstan**  
Axima LLP  
232/2, Ryskulov avenue  
050061 Almaty  
Phone +7 727 356 52 91/92/93  
Fax +7 727 327 14 92/93  
trade1@axima.kz  
or@axima.kz
- Technik-Tade LLC  
Kabanbay Batyra Str. 11  
office 305  
070004 Ust-Kamenogorsk  
Phone +7 7232 254064  
Fax +7 7232 253251  
info@technik.kz
- Korea**  
WAGO Korea Co., Ltd.  
Room A413~A416, A dong,  
Indukwon IT Valley Building, Imiro 40,  
Poil-dong,Uiwang-Si, Gyeonggi-do,  
16006, South Korea  
Phone +82 31 421 9500  
Fax +82 31 360 2476  
info.korea@wago.com
- Kosovo**  
Please contact WAGO Bulgaria
- Latvia**  
INSTABALT LATVIA SIA  
Vestienas iela 6  
Riga, LV-1035  
Phone +371 6790 1188  
Fax +371 6790 1180  
info@instabalt.lv
- Lebanon**  
Gemayel Trading & Contracting  
Rue 55, Antonins Project-Bloc L  
P.O. BOX 70-1096  
Antelias, Lebanon  
Phone +961 3 22 30 29  
Fax +961 4 52 10 29  
info@gtclb.com
- Lithuania**  
INSTABALT LIT UAB  
Savanorių 187  
Vilnius, 2053  
Phone +370 52 322 295  
Fax +370 52 322 247  
info@instabalt.lt
- Luxembourg**  
Please contact WAGO Belgium
- Malaysia**  
WAGO Automation Sdn. Bhd.  
No 806, Block A4, Leisure Commerce  
Square,  
No 9, Jalan PJS 8/9, 46150 Petaling Jaya,  
Selangor Darul Ehsan, Malaysia  
Phone +60 3 7877 1776  
Fax +60 3 7877 2776  
info-my@wago.com

**Maledivea**

Please contact WAGO India

**Mexico**

WAGO S.A. de C.V.  
Carretera estatal 431 Km. 2+200  
Lote 99 Módulo 6  
Parque Industrial Tecnológico Innovación  
Querétaro  
El Marqués, Qro. 76246  
Phone +52 442 221 5946  
Fax +52 442 221 5063  
info.mx@wago.com

**Morocco**

Automatisme & Connection Maroc  
23, Rue Boured  
2ème étage, appt4  
Roche Noire  
20300 Casablanca  
Phone +212 522 24 21 72/73  
Fax +212 522 24 21 75  
info-fr@wago.com

**Nepal**

Please contact WAGO India

**Netherlands**

WAGO Nederland B.V.  
Laan van de Ram 19  
7234 BW APELDOORN  
Phone +31 55 36 83 500  
Fax +31 55 36 83 599  
info-nl@wago.com

**New Zealand**

Please contact WAGO Australia

Engineering Computer Services Ltd  
7-19 Ruffell Rd  
Hamilton, 3200  
New Zealand  
Phone +64 (0) 7 849 2211  
Fax +64 (0) 7 849 2220  
sales@ecsnz.com

**Nigeria**

GIL Automations Ltd.  
Daily Times Complex  
2 Lateef Jakande Rd., Agidingbi  
100271 Ikeja, Lagos State  
Phone +234 17132672335  
sales@gilautomation.com

**Norway**

WAGO Norge AS  
Jerikoveien 20  
1067 Oslo  
Phone +47 22 30 94 50  
Fax +47 22 30 94 51  
info.no@wago.com

**Oman**

Please contact WAGO Middle East

**Pakistan**

FuziLogix Automation & Control  
Suit No. 14, 5th Floor, Shan Arcade  
New Garden Town, Lahore  
Phone +92 42 594 1503 - 4  
Fax +92 42 585 1431  
info@fuzilogix.com

**S.A. Hamid & Co.**

7 Brandreth Road  
Lahore, 54000  
Phone +92 42 376 500 99  
Fax +92 42 376 513 91  
sales@sahamid.com

**Paraguay**

AESA  
Av. Madame Lynch  
c/Antolin Irala  
2309 Asunción  
Phone +59 521674524  
info@aesa.com.py

**Philippines**

Please contact WAGO Singapore

**Poland**

WAGO ELWAG sp. z o. o.  
ul. Piękna 58 a  
50-506 Wrocław  
Phone +48 71 3602970  
Fax +48 71 3602999  
wago.elwag@wago.com

**Portugal**

MORGADO & CA. LDA - SEDE  
Estrada Exterior da  
Circunvalação 3558/3560  
Apartado 1057  
4435 Rio Tinto  
Phone +351 22 9770600  
Fax +351 22 9770699  
geral@morgadocl.pt

**Quatar**

GEBD - Gulf European Business  
Development - Company W.L.L.)  
PO Box: 20 000  
Doha, Quatar  
Phone +974 5591 5682  
info@gebd.com

**Republic of Moldova**

Smart Delight SRL  
Bulgara Str. 9/6  
2001 Chisinau  
Phone +373 (373) 69 10 22 01  
alexandres@starnet.md

**Republic of North Macedonia**

Please contact WAGO Bulgaria

Kompjunet Inzenering  
Vladimir Komarov 1A-3/9  
1000 Skopje  
Phone +389 2 521 12 00

**Romania**

WAGO Kontakttechnik GmbH & Co. KG  
Representative Office Romania  
Sos. Pipera-Tunari nr. 1/1  
building 1, 2nd floor  
077190 Voluntari, Ilfov  
Phone +40-(0)31 421 85 68  
info-RO@wago.com

**Russia**

OOO WAGO Contact Rus  
Ilinskaya strret 5, bldg. 2  
127576 Moscow  
Phone +7 495 223-4747  
info.ru@wago.com  
www.wago.ru

**Saudi Arabia**

Saudi Electronic Trading  
P.O. Box 60712  
Riyadh 11555  
Phone +966 11 2063 377  
Fax +966 11 4633 297  
info@setra.com.sa

**Serbia**

Please contact WAGO Bulgaria

Mehatronik Sistem d.o.o.  
Bul. Oslobodjenja 30  
32000 Cacak  
Phone +381 (0)32 310 088  
Fax. +381 (0)32 371 571  
Mobil +381 (0)64 877 22 02  
office@mehatronik.com

**Sigma Controls Engineering d.o.o.**

Jovana Skerlica 22  
18000 Nis  
Mobil +381 (0)63 403 104  
zeljko.savic@sce.rs

**Singapore**

WAGO Electronic Pte Ltd  
138 Joo Seng Road #06-01  
Singapore 368361  
Phone +65 62866776  
Fax +65 62842425  
info-sing@wago.com

**Slovakia**

Proelektro spol. s r.o.  
Na barine 22  
841 03 Bratislava - Lamač  
Phone +421 2 4569 2503  
info@wago.sk

**Slovenia**

IC elektronika d.o.o.  
Vodovodna cesta 100  
1000 Ljubljana  
Phone +386 1568 01 26  
Fax +386 1568 91 07  
info@ic-elect.si

**Slovenia**

Elektronabava d.o.o.  
Cesta 24 junija 3  
1231 Ljubljana  
Phone +386 1 58 99 300  
Fax +386 1 58 99 409  
info@elektronabava.si

**South Africa**

Shorrock Automation CC  
Nelmapius drive  
5 Regency Drive, Route 21 Corp. Park  
0051 Centurion  
Phone +27 12 4500300  
Fax +27 12 4500322  
sales@shorrock.co.za

**Spain**

DICOMAT S.L.  
Avda. de la Industria, 36  
Apartado Correos, 1.178  
28108-Alcobendas (Madrid)  
Phone +34 91 662 1362  
Fax +34 91 661 0089  
info@dicomat-asetyc.com

**Sri Lanka**

Please contact WAGO India

**Sweden**

WAGO Sverige AB  
Box 11127, 161 11 BROMMA  
Besöksadress: Adolfsbergsv. 31  
Phone +46 858410680  
info.se@wago.com

**Switzerland**

WAGO CONTACT SA  
Rte. de l'Industrie 19  
Case Postale 168  
1564 Domdidier  
Phone +41/26 676 75 00  
Fax +41/26 676 75 01  
info.switzerland@wago.com

**Syria**

Please contact WAGO Middle East

**Taiwan R.O.C.**

WAGO Contact, Ltd.  
5F, No.168, Jiankang Rd  
Zhonghe City  
Taipei County 23585, Taiwan  
Phone +886 2 2225 0123  
Fax +886 2 2225 1511  
info.taiwan@wago.com

**Thailand**

WAGO Contact Ltd.  
4th Floor, KS Building  
213/6-8 Rachada-Phisek Road  
Dingdaeng Bangkok 10400  
Phone +66 2 6935611  
Fax +66 2 6935612  
info-th@wago.com

**Tunisia**

Please contact WAGO France

**Turkey**

WAGO Elektronik Sanayi ve Ticaret Ltd. Şti.  
Yukarı Dudullu Mahallesi Bayraktar Bulvarı  
Cad. Hattat Sok. No. 10  
34775 Ümraniye - İstanbul  
Phone +90 216 472 1133  
Fax +90 216 472 9910  
info.tr@wago.com

**Ukraine**

LLC RPE „Logicon“  
Predslavinskaya street, 37, office 303  
03150 Kiev  
Phone +380 44 5228019  
Fax +380 44 2611803  
info@logicon.ua

**Micropribor Ltd.**

4, Krzhizhanovsky Str.  
03142 Kiev  
Phone +380 44 392 93 86  
Fax +380 44 392 93 87  
sales@micropribor.kiev.ua

**United Arab Emirates (UAE)**

WAGO Middle East (FZC)  
SAIF Zone, Q4-282  
P.O. Box 120665  
Sharjah, UAE  
Phone +971 6 5579920  
Fax +971 6 5579921  
info.uae@wago.com

**Uruguay**

Fivisa Electricidad  
Avda. Uruguay 1274  
11100 Montevideo  
Phone +59 829 020 808  
Fax +59 829 021 230  
info@fivisa.com.uy

**USA**

WAGO CORPORATION  
N120 W19129 Freistadt Road  
Germantown, WI 53022  
Phone +1 262 255 6222  
Fax +1 262 255 3232  
Toll-Free: 1-800 DIN Rail (346-7245)  
info.us@wago.com

**Venezuela**

PETROBORNAS, C.A.  
C.C. PLAZA AEROPUERTO - PISO 1 - LO-  
CAL P1-B-03  
(8015) UNARE - PUERTO ORDAZ -  
ESTADO BOLÍVAR  
REPÚBLICA BOLIVARIANA DE  
VENEZUELA  
Phone +58 286 951 3382  
Fax +58 286 951 3382  
info@petrobornas.com

**Vietnam**

Please contact WAGO Germany (Minden)

Version: 10/2020

Current addresses at www.wago.com





**WAGO GmbH & Co. KG**

Postfach 2880 · D · 32385 Minden  
Hansastraße 27 · D · 32423 Minden  
[info@wago.com](mailto:info@wago.com)  
[www.wago.com](http://www.wago.com)

Headquarters	+49 571 887 - 0
Sales	+49 571 887 - 44222
Order Service	+49 571 887 - 44333
Fax	+49 571 887 - 844169

WAGO is a registered trademark of WAGO Verwaltungsgesellschaft mbH.

"Copyright – WAGO GmbH & Co. KG – All rights reserved. The content and structure of the WAGO websites, catalogs, videos and other WAGO media are subject to copyright. Distribution or modification to the contents of these pages and videos is prohibited. Furthermore, the content may neither be copied nor made available to third parties for commercial purposes. Also subject to copyright are the images and videos that were made available to WAGO GmbH & Co. KG by third parties."